



# EGB-36/38/50

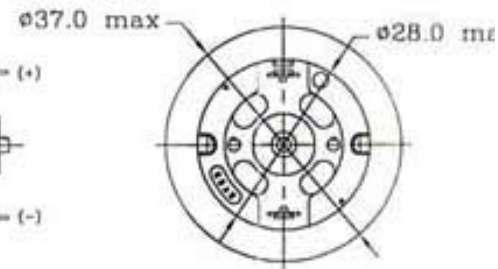
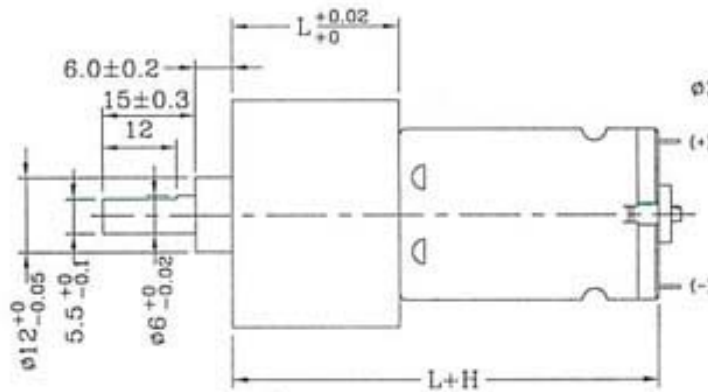
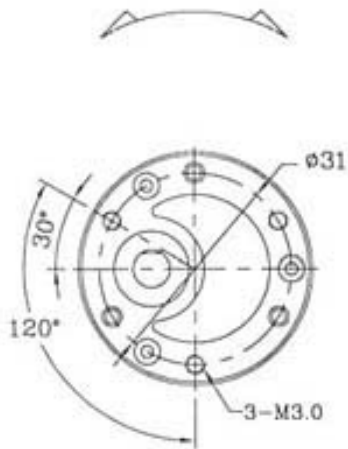


GEARED MOTORS

Typical Applications:

- Chain Actuator
- Automatic Control Instruments
- Automatic Curtain Driver

DIRECTION OF ROTATION



MODEL	VOLTAGE	REDUTION RATIO	OUTPUT SPEED(rpm)	RATED TORQUE(kf.cm)	TOLERANCE	EFFICIENCY	L (mm)	H (mm)
EGB-365S-15130	12.0 VDC	1/120	65	6.0		59%	27	32.6
EGB-365S-16125	12.0 VDC	1/750	10	6.0		53%	29.5	32.6
EGB-380S-12320	24.0 VDC	1/60	134	3.0		66%	24.5	37.8
EGB-380S-19160	12.0 VDC	1/30	270	2.0		73%	22	37.8
EGB-380S-21135	12.0 VDC	1/50	180	3.0		66%	24.5	37.8
EGB-380S- 3270	6.0 VDC	1/120	75	6.0		59%	27	37.8
EGB-500 -14415	6.0 VDC	1/300	12	6.0		59%	21	19.5

