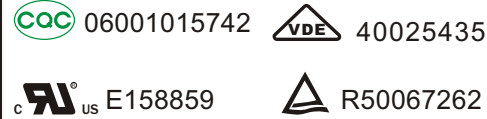


JZC-22F₂



22.5×16.8×20.2



Features

- Small size, light weight .Low coil power consumption.
- Switching capacity can reach 20A,TV-10.
- PC board mounting.
- Suitable for household electrical appliances, automation system, electronic equipment, instrument and meter application. TV-5, TV-10 Remote control TV receivers, monitor display, audio equipment high and rushing current application.

Ordering Information

JZC-22F₂ **S** **C** **5** **D** **DC12V**
 1 2 3 4 5 6

- 1 Part number: JZC-22F₂
- 2 Enclosure: S: Sealed type; F: Dust cover
- 3 Contact arrangement: A:1A; B:1B; C:1C
- 4 Contact rating: 5A,7A,12A,15A,20A/125VAC 28VDC; 10A/250VAC; 16A/250VAC(1A)
- 5 Coil power consumption: L:0.36W; D:0.45W
- 6 Coil rated voltage(V): DC:3,6,9,12,24,48

Contact Data

Contact Arrangement	1A (SPSTNO) 1B (SPSTNC) 1C (SPDT(B-M))
Contact Material	AgCdO AgSnO ₂
Contact Rating	resistive:5A,7A,12A,15A,20A/125VAC,28VDC; 10A/250VAC ;16A/250VAC(1A) Lamp:TV-5,120VAC,240VAC;TV-10,120VAC Motor load:1/4HP 120VAC
Max. Switching Power	560W 4000VA
Max. Switching Voltage	110VDC 380VAC Max. Switching Current:20A
Contact Resistance & Voltage drop	<100mΩ Item 4.12 of IEC 61810-7
Operation Life	Electrical 10 ⁵ Item 4.30 of IEC 61810-7
	Mechanical 10 ⁷ Item 4.31 of IEC 61810-7

CAUTION: 1.For the intermediate current, it only applies to the room temperature.

Coil Parameter

Dash numbers	Coil voltage VDC		Coil resistance Ω ±10%	Pickup voltage VDC(max) (75%of rated voltage)	Release voltage VDC(min) (10% of rated voltage)	Coil power consumption W	Operate Time ms	Release Time ms
	Rated	Max.						
003-360	3	3.9	25	2.25	0.3	0.36	<15	<5
006-360	6	7.8	100	4.50	0.6			
009-360	9	11.7	225	6.75	0.9			
012-360	12	15.6	400	9.00	1.2			
024-360	24	31.2	1600	18.0	2.4			
048-360	48	62.4	6400	36.0	4.8			
003-450	3	3.9	20	2.25	0.3	0.45	<15	<5
006-450	6	7.8	80	4.50	0.6			
009-450	9	11.7	180	6.75	0.9			
012-450	12	15.6	320	9.00	1.2			
024-450	24	31.2	1280	18.0	2.4			
048-450	48	62.4	5120	36.0	4.8			

CAUTION: 1.The use of any coil voltage less than the rated coil voltage will compromise the operation of the relay.
 2.Pickup and release voltage are for test purposes only and are not to be used as design criteria.

Operation condition

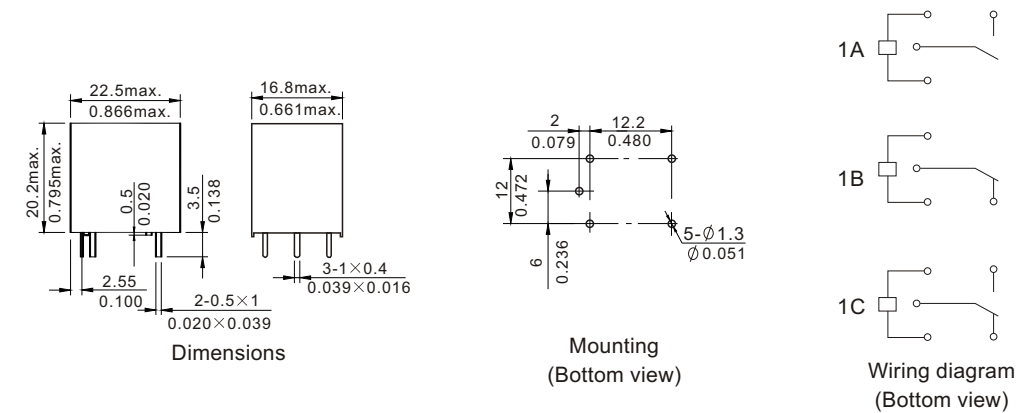
Insulation Resistance	100MΩ min (at 500VDC)	Item 7 of IEC 60255-5
Dielectric Strength	50Hz 750V	Item 6 of IEC 60255-5
Between contacts	50Hz 2500V 50Hz;	Item 6 & Item 8 of IEC 60255-5
Between contact and coil		
Shock resistance	100m/s ² 11ms	IEC 68-2-27 Test Ea
Vibration resistance	10Hz~55Hz double amplitude 1.5mm	IEC 68-2-6 Test Fc
Terminals strength	10N	IEC 68-2-21 Test Ua1
Solderability	235°C ± 2°C 3s ± 0.5s	IEC 68-2-20 Test Ta method 1
Ambient Temperature	-40°C~85°C	
Relative Humidity	85% (at 40°C)	IEC 68-2-3 Test Ca
Mass	16g	

Safety approvals

Safety approval	UL&CUR	VDE	TU V	CQC
Load	15A/125VAC,28VDC TV-5 240VAC; TV-10(1A),120VAC 1/4HP 120VAC	10A/250VAC 28VDC	10A/250VAC	15A/125VAC

Dimensions

mm /inch



NOTES 1).Dimensions are in millimeters.
 2).Inch equivalents are given for general information only.

Reference Data

