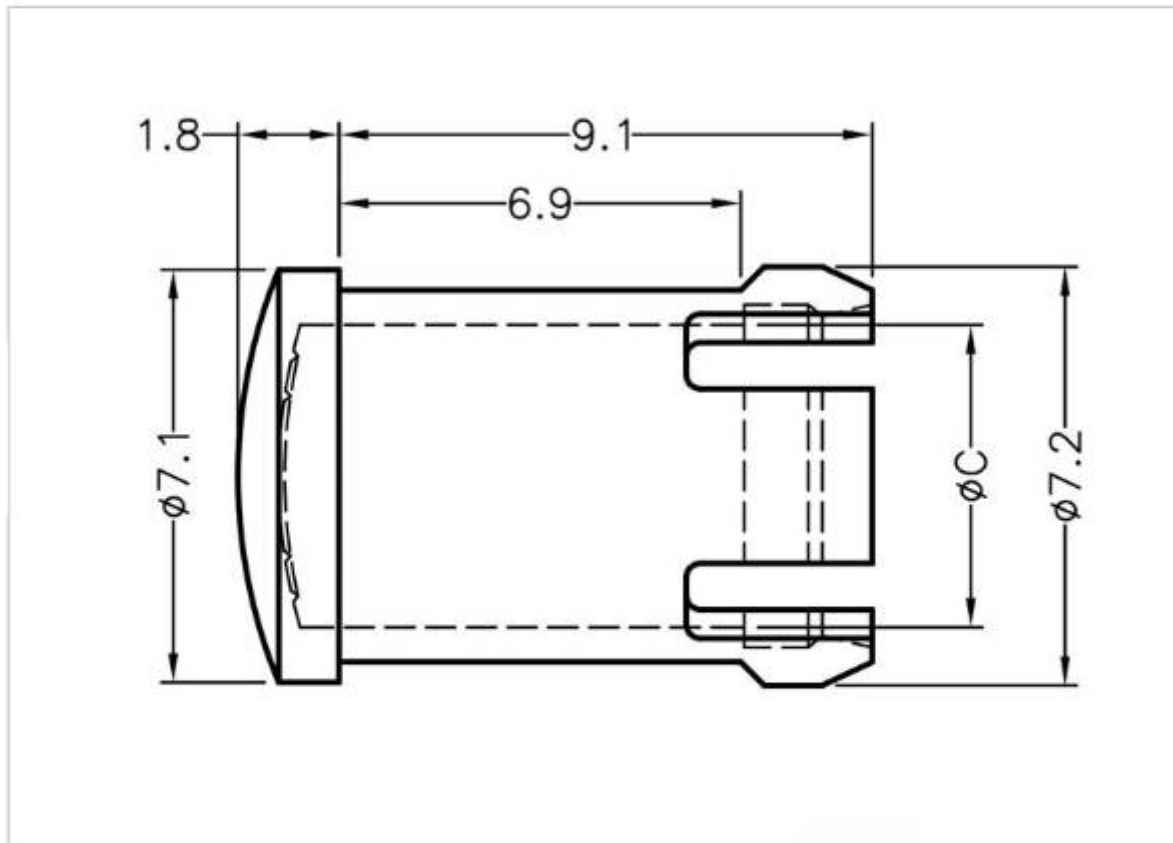




● TITLE : LENS CAP

● PART NO : LC5-1



✿ MATERIAL 1: PC(UL)

✿ FLAME CLASS 1: 94V-2

✿ COLOR 1: CLEAR

✿ UNIT: mm

CHASSIS  $\phi$ 6.4  
THICKNESS 0.8~6.35