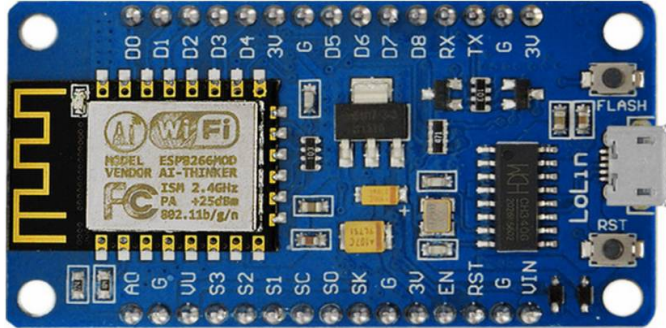


## NodeMCU Lua WiFi developemnt board ESP8266 serial WiFi module ESP-12F IoT

### Module: MB0084

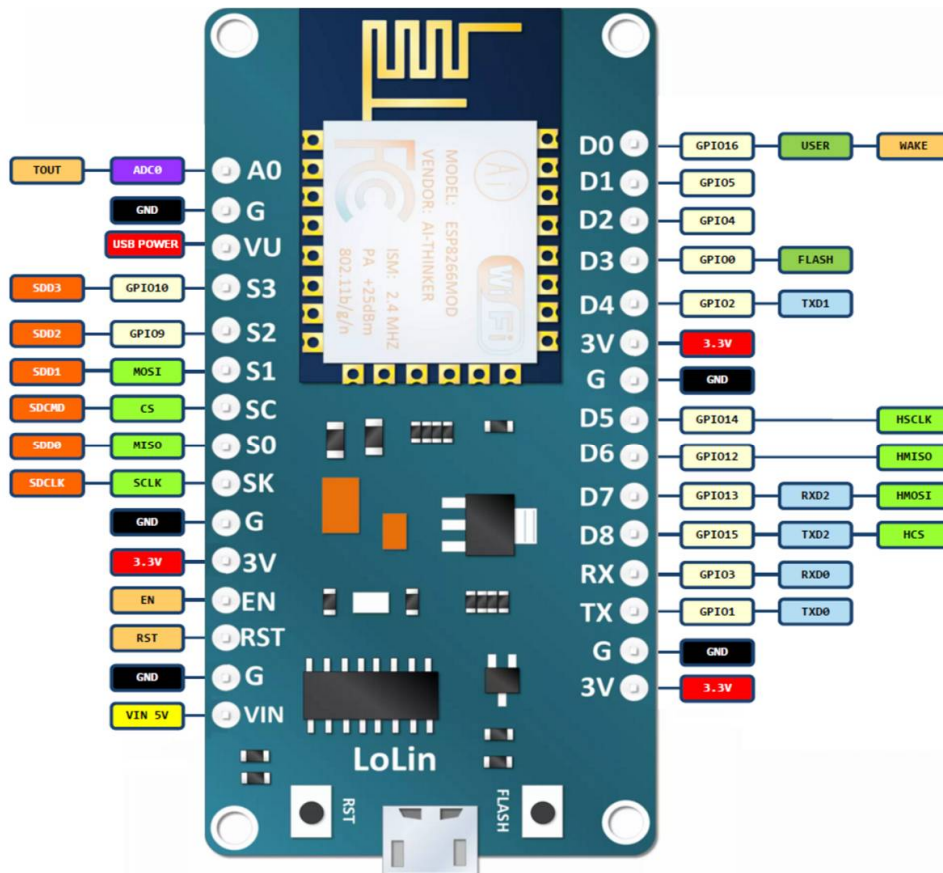
#### Features:

1. Adopts industrial chip esp8266, esp-12f module with metal shielding Case, strong Anti-slip potential;
2. Used as an independent commission for the development of esp8266, uploading an official to the team Firmware, open source nodemcu, etc. ;
3. Can also be used as an independent development board for Arduino, use the same as Arduino Development Board.



#### Specification:

1. Supports wireless 802.11 B / G / N standard;
2. Supports two modes of operation sta / AP;
3. Built-in tcp / ip stack, can configure one socket;
4. Supports the TCP / UDP server and client standard;
5. The serial port's serial port transmission speed can be:  
1200/2400/4800/9600/19200/38400/57600/74800 / 115,200 bps;
6. Serial port data: 5/6/7/8 bit;
7. Serial port-even check: no;
8. Serial port of the stop bit: 1/2 bit;
9. 1 Reset button;
10. The key button also has a configuration function;
11. Wi-Fi Operating current: Continuous transmission: ≈70ma  
(200mA max), stand from Mode: <200uA;
- 12 Operating voltage: DC 3.3V
13. Wireless transmission speed: 110-460800bps;
14. Operating temperature: -40 ° C ~ + 125 ° C
- 15 Board size: 59 x 31mm



For instructions on setup and how to use see:

<https://www.instructables.com/id/Programming-ESP8266-ESP-12E-NodeMCU-Using-Arduino/>

Library at: <https://github.com/esp8266/Arduino>