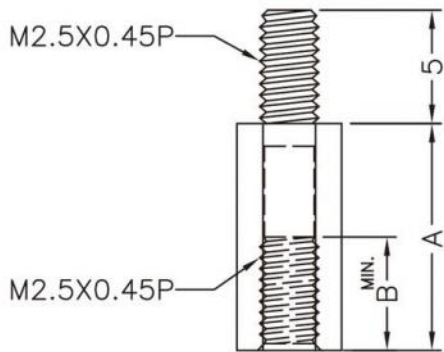
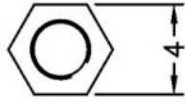


WEBSITE PHOTOS

⚠ This dwg is for reference only, Actual dwg should be based on formal engineering dwg issued by Kang Yang.



A	B
5.0	3.0



康揚企業股份有限公司
 KANG YANG HARDWARE ENTERPRISE CO., LTD.
 康揚塑膠(東莞)有限公司
 KANG YANG PLASTIC(DONG GUAN) CO., LTD.
 康哲電腦配件(吳江)有限公司
 KANG CHE COMPUTER COMPONENTS(WUJIANG) CO., LTD.

PART NUMBER		TP2.5-5	SPEC. DWG.	
TITLE				
THREADED SPACER				
MATERIAL			COLOR	
NYLON 66(UL) 94V-0			NATURAL	
SIZE	SCALE	UNIT	CHECK	
A4	2:1	mm	Z.C	

PART NO	A	B	
TP2.5-6	6.0	4.0	[1] NYLON 66(UL), Flame class: 94V-0/94V-2, Color: BLACK/NATURAL.
TP2.5-7	7.0	5.0	[1] NYLON 66(UL), Flame class: 94V-0/94V-2, Color: BLACK/NATURAL.
TP2.5-8	8.0	5.0	[1] NYLON 66(UL), Flame class: 94V-0/94V-2, Color: BLACK/NATURAL.
TP2.5-9	9.0	5.0	[1] NYLON 66(UL), Flame class: 94V-0/94V-2, Color: BLACK/NATURAL.
TP2.5-10	10.0	5.0	[1] NYLON 66(UL), Flame class: 94V-0/94V-2, Color: BLACK/NATURAL.
TP2.5-11	11.0	5.0	[1] NYLON 66(UL), Flame class: 94V-0/94V-2, Color: BLACK/NATURAL.
TP2.5-12	12.0	5.0	[1] NYLON 66(UL), Flame class: 94V-0/94V-2, Color: BLACK/NATURAL.
TP2.5-13	13.0	5.0	[1] NYLON 66(UL), Flame class: 94V-0/94V-2, Color: BLACK/NATURAL.
TP2.5-14	14.0	5.0	[1] NYLON 66(UL), Flame class: 94V-0/94V-2, Color: BLACK/NATURAL.
TP2.5-15	15.0	5.0	[1] NYLON 66(UL), Flame class: 94V-0/94V-2, Color: BLACK/NATURAL.
TP2.5-16	16.0	5.0	[1] NYLON 66(UL), Flame class: 94V-0/94V-2, Color: BLACK/NATURAL.
TP2.5-17	17.0	5.0	[1] NYLON 66(UL), Flame class: 94V-0/94V-2, Color: BLACK/NATURAL.
TP2.5-18	18.0	5.0	[1] NYLON 66(UL), Flame class: 94V-0/94V-2, Color: BLACK/NATURAL.
TP2.5-19	19.0	5.0	[1] NYLON 66(UL), Flame class: 94V-0/94V-2, Color: BLACK/NATURAL.



PART NO	A	B	
TP2.5-20	20.0	5.0	[1] NYLON 66(UL), Flame class: 94V-0/94V-2, Color: BLACK/NATURAL.
TP2.5-21	21.0	5.0	[1] NYLON 66(UL), Flame class: 94V-0/94V-2, Color: BLACK/NATURAL.
TP2.5-22	22.0	5.0	[1] NYLON 66(UL), Flame class: 94V-0/94V-2, Color: BLACK/NATURAL.
TP2.5-23	23.0	5.0	[1] NYLON 66(UL), Flame class: 94V-0/94V-2, Color: BLACK/NATURAL.
TP2.5-24	24.0	5.0	[1] NYLON 66(UL), Flame class: 94V-0/94V-2, Color: BLACK/NATURAL.
TP2.5-25	25.0	5.0	[1] NYLON 66(UL), Flame class: 94V-0/94V-2, Color: BLACK/NATURAL.
TP2.5-26	26.0	5.0	[1] NYLON 66(UL), Flame class: 94V-0/94V-2, Color: BLACK/NATURAL.
TP2.5-27	27.0	5.0	[1] NYLON 66(UL), Flame class: 94V-0/94V-2, Color: BLACK/NATURAL.
TP2.5-28	28.0	5.0	[1] NYLON 66(UL), Flame class: 94V-0/94V-2, Color: BLACK/NATURAL.

