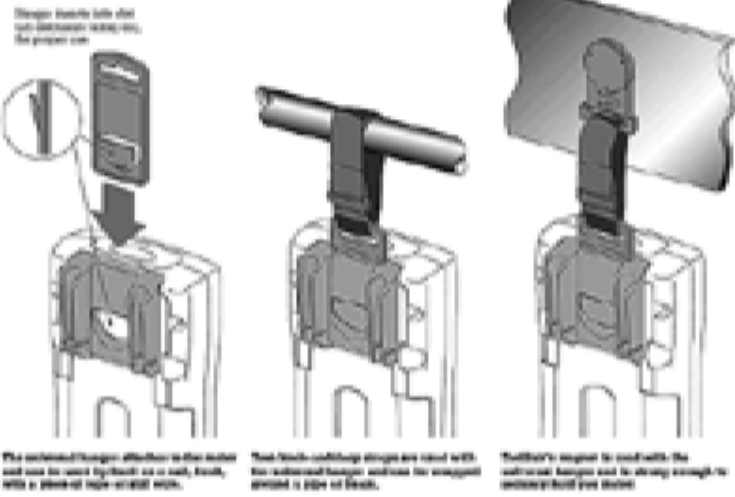


# Cases and Holsters

## Holsters



### The meter hanging solution

- Kit includes, universal hanger clips (2), straps (2 lengths) and strong magnet
- Combine components to meet most ha
- Attaches to back of a 110/170/180 Seri 20/70 -III with integrated holster (with a 724/725 and 50 Series II
- One year warranty

