

FEATURES

- Built-in basic switch with double spring mechanism
- Long life (10,000,000)mechanical operations)
- Highly rigid construction (head and cover snugly fit in box)
- Dustproof and drip-proof construction
- Smooth operation with greater OT
- Easy-to-wire conduit opening design

SPECIFICATIONS

RATINGS

Rated Voltage	Non-inductive				Inductive load			
	Resistive load		Lamp load		Inductive load		Motor load	
	NC	NO	NC	NO	NC	NO	NC	NO
125VAC	5	5	1.5	0.7	3	3	2	1
250VAC	5	5	1	0.5	3	3	1.5	0.8
8 VDC	5	5	3	3	5	4	3	3
14 VDC	5	5	3	3	4	4	3	3
30 VDC	5	5	3	3	4	4	3	3
125 VDC	0.4	0.4						
250 VDC	0.2	0.2						
Inrush current	N.C:24A max.N.O:12Amax							

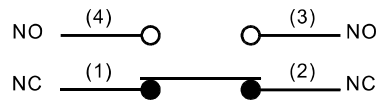
NOTES:1. inductive load has a power factor of 0.4 min. (Ac) and a time constant of 7 msec. Max.(dc)
 2.lamp load has an inrush current of 10 times the steady-state current, while motor load has an inrush current of 6 times the steady-state current.

OPERATION CHARACTERISTICS

Type	TZ-8104	TZ-8108	TZ-8107	TZ-8111	TZ-8112 TZ-8122	TZ-8166 TZ-8167 TZ-8168 TZ-8169
OF Max.	750g	750g	750g	900g	900g	150g
RF Min.	100g	100g	100g	150g	150g	—
PT Max.	20°	20°	20°	1.5mm	1.5mm	30mm
OT Min.	50°	50°	50°	4mm	4mm	—
MD Max.	12°	12°	12°	1mm	1mm	—
OP	—	—	—	26±0.8mm	37±0.8mm	—



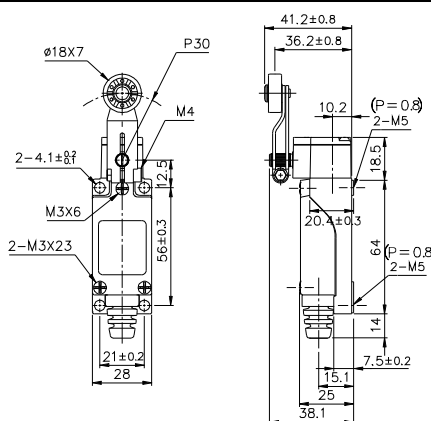
CONTACT CONFIGURATION



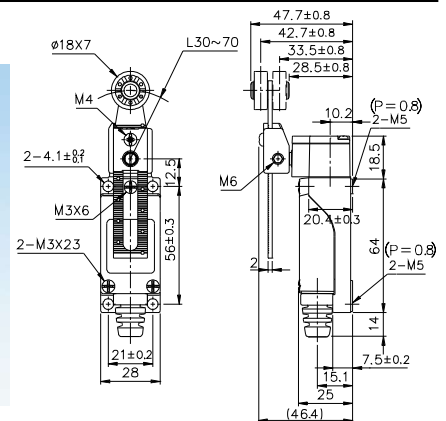
CHARACTERISTICS

Operating speed	0.5mm to 50cm/s
Operating frequency	Mechanically:120 operations/min Electrically:30 operations/min
Contact resistance	15mΩmax. (initial)
Insulation resistance	100MΩmax. (at 500 VDC)
Dielectric strength	1,000VAC,50/60Hz, fo 1minute between non-continuous terminals 1,500VAC,50/60Hz, for 1 1minute between current-carrying and non-current-carrying pasts and between each terminal and ground
Vibration	Mechanical durability: 10 to 55HZ,1.5mm double amplitude
Shock	Mechanical durability: 1,000m/S ² (approx.100G's) malfunction: 500m/S ² (approx.50G's)
Ambient temperature	Operating:+5 to +65°C
Humidity	95%RH max.
Service life	Mechanically: 10,000,000 operations min. Electrically:500,000 operations min.
weight	Approx.130 to 190g
Degree of protection	IEC:IP65

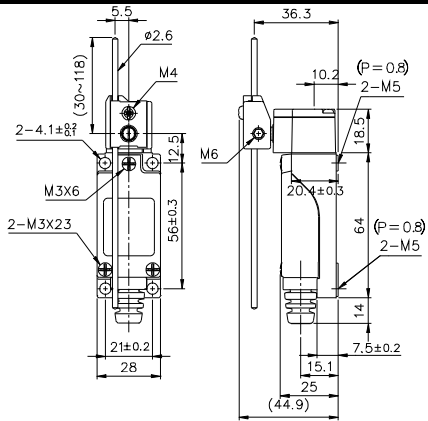
TZ-8104



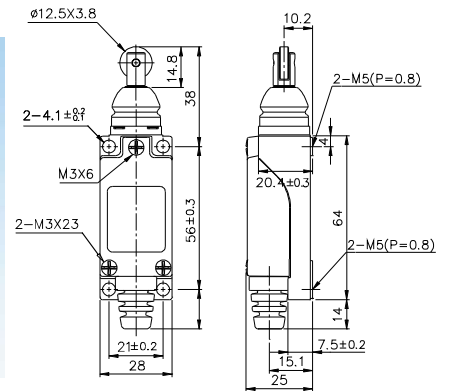
TZ-8108



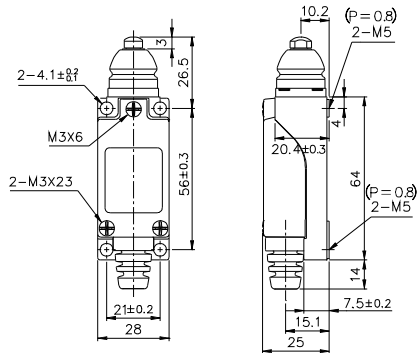
TZ-8107



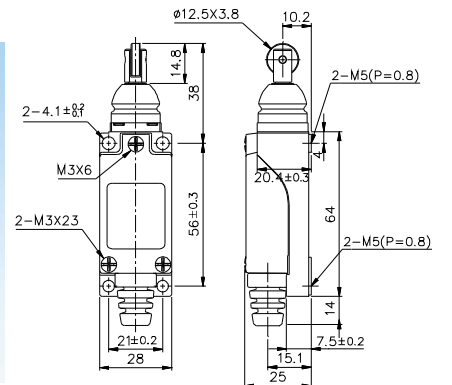
TZ-8112



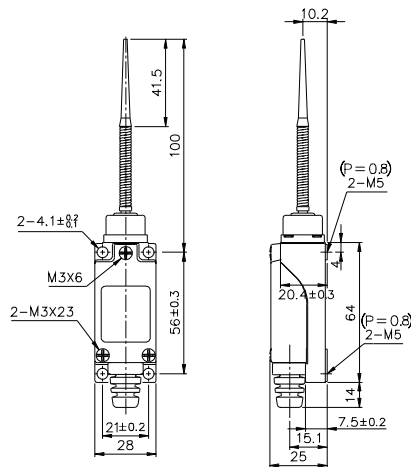
TZ-8111



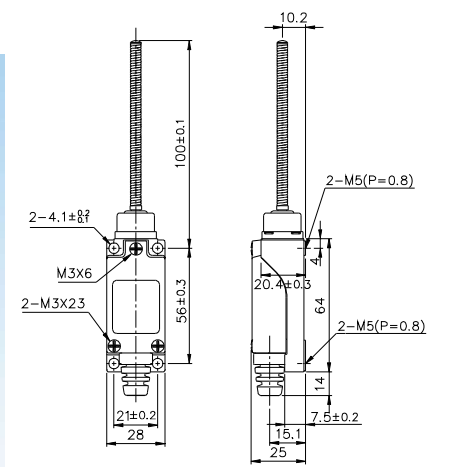
TZ-8122



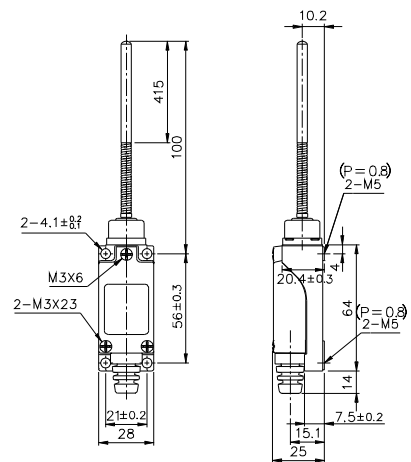
TZ-8166



TZ-8167



TZ-8168



TZ-8169

