

BEND RELIEF

Top performance, no hassle

- No tool required: 5 steps to assemble
- Clean cut: perfectly adjust the bend relief to your cable diameter with a simple blade

Long lasting

- Resists 10,000 flex cycles at a 90° angle
- Operating temperature -55°C to +135°C
- UV resistant

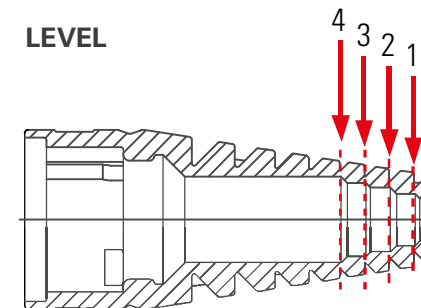


Standard color is black (BK)
 Also available in grey (GY), blue (BL), yellow (YL), green (GN), violet (VT) upon request.

Please contact your Fischer Connectors sales representative.

CUTTING DIAMETERS

Size	Uncut	Level 1	Level 2	Level 3	Level 4	Part Number
07	ø1.9	ø2.9	ø3.9	ø4.9	-	UB07 A1BK
08	ø2.5	ø3.7	ø5.7	ø7.5	-	UB08 A1BK
11	ø3.9	ø5.4	ø6.9	ø8.9	-	UB11 A1BK
13	ø6.9	ø8.9	ø10.9	ø12.9	-	UB13 A1BK
18	ø6.9	ø8.4	ø10.4	ø11.9	ø13.9	UB18 A1BK



All dimensions and images shown are in millimeters and are for reference only.