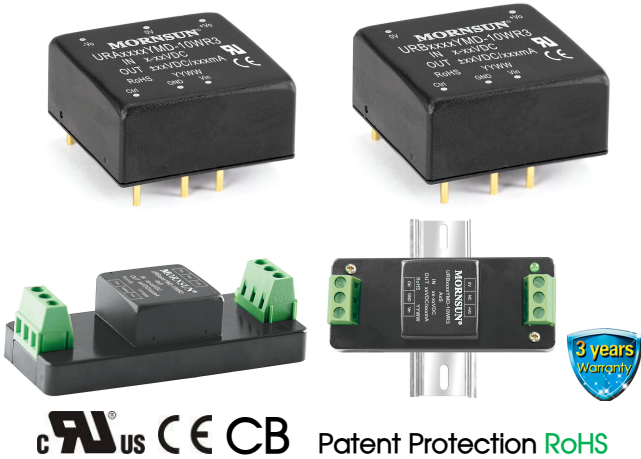


10W isolated DC-DC converter in DIP package with Ultra-wide Input and Regulated Dual/Single Output

FEATURES

- Ultra-wide 4:1 input voltage range
- High efficiency up to 88%
- No-load power consumption as low as 0.12W
- I/O isolation test voltage 1.5K VDC
- Input under-voltage protection, output short circuit, over-current, over-voltage protection
- Operating ambient temperature range: -40°C to +85°C
- CISPR32/EN55032 CLASS A EMI compliant without external components
- Input Reverse Polarity Protection available with Chassis (A2S) or 35mm DIN-Rail mounting (A4S) version
- IEC60950, UL60950, EN62368 Approval
- Industry standard pin-out



UL us CE CB Patent Protection RoHS

URA\_YMD-10WR3 & URB\_YMD-10WR3 series of isolated 10W DC-DC converter products feature an ultra-wide with 4:1 input voltage with efficiencies of up to 88%, 1500VDC input to output isolation, operating ambient temperature range of -40°C to +85°C, input under-voltage protection, output over-voltage, over-current, short circuit protection. They meet CLASS A of CISPR32/EN55032 EMI standards without external components, optional packages are offered for chassis or DIN-rail mounting (A2S, A4S), adding additional input reverse polarity protection and they are widely used in applications such as industrial control, electric power, instruments and communication fields.

Selection Guide

Certification	Part No. ①	Input Voltage (VDC)		Output		Full Load Efficiency ④ (%) Min./Typ.	Max. Capacitive Load ⑤ (μF)
		Nominal ② (Range)	Max. ③	Voltage (VDC)	Current (mA) (Max./Min.)		
UL/CE/CB	*URA2405YMD-10WR3	24 (9-36)	40	±5	±1000/0	81/83	1000
	URA2409YMD-10WR3			±9	±555/0	84/86	680
	*URA2412YMD-10WR3			±12	±416/0	85/87	470
	URA2415YMD-10WR3			±15	±333/0	85/87	330
	*URA2424YMD-10WR3			±24	±208/0	85/87	100
	URB2403YMD-10WR3			3.3	2400/0	76/78	2200
	URB2405YMD-10WR3			5	2000/0	81/83	2200
	URB2409YMD-10WR3			9	1111/0	83/85	680
	URB2412YMD-10WR3			12	833/0	84/86	470
	URB2415YMD-10WR3			15	667/0	84/86	330
	URB2424YMD-10WR3	24	416/0	86/88	100		
	*URA4805YMD-10WR3	48 (18-75)	80	±5	±1000/0	81/83	1000
	*URA4812YMD-10WR3			±12	±416/0	85/87	470
	*URA4815YMD-10WR3			±15	±333/0	85/87	330
	*URA4824YMD-10WR3			±24	±208/0	85/87	100
	*URB4803YMD-10WR3			3.3	2400/0	77/79	2200
	*URB4805YMD-10WR3			5	2000/0	81/83	2200
	*URB4812YMD-10WR3			12	833/0	85/87	470
	*URB4815YMD-10WR3			15	667/0	85/87	330
	*URB4824YMD-10WR3			24	416/0	86/88	100

Notes:  
 ① Use "A2S" suffix for chassis mounting and "A4S" suffix for DIN-Rail mounting;  
 ② The A2S and A4S Model's start-up and minimum input voltages are increased by 1VDC due to the input reverse polarity protection circuit;  
 ③ Absolute maximum stress rating without damage (not recommended);  
 ④ Efficiency is measured at nominal input voltage and rated output load; efficiencies for A2S and A4S Model's is decreased by 2% due to the input reverse polarity protection circuit;  
 ⑤ The specified maximum capacitive load value for positive and negative output is identical;  
 ⑥ Products marked with "\*" need an input capacitor in order to meet conducted specifications of CISPR32/EN55032 CLASS A.

### Input Specifications

Item	Operating Conditions	Min.	Typ.	Max.	Unit	
Input Current (full load / no-load)	24VDC nominal input series, nominal input voltage	3.3V output	--	423/5	434/12	mA
		Others	--	502/5	514/12	
	48VDC nominal input series, nominal input voltage	3.3V output	--	190/4	215/8	
		Others	--	251/4	258/8	
Reflected Ripple Current	24VDC nominal input series, nominal input voltage	--	40	--	VDC	
	48VDC nominal input series, nominal input voltage	--	30	--		
Surge Voltage (1sec. max.)	24VDC nominal input series	-0.7	--	50	VDC	
	48VDC nominal input series	-0.7	--	100		
Start-up Voltage	24VDC nominal input series	--	--	9	VDC	
	48VDC nominal input series	--	--	18		
Input Under-voltage Protection	24VDC nominal input series	5.5	6.5	--	VDC	
	48VDC nominal input series	12	15.5	--		
Start-up Time	Nominal input voltage & constant resistance load	--	10	--	ms	
Input Filter		Pi filter				
Hot Plug		Unavailable				
Ctrl*	Module on	Ctrl pin open or pulled high (3.5-12VDC)				
	Module off	Ctrl pin open or pulled high (0-1.2VDC)				
	Input current when off	--	6	10	mA	

Note: \*The Ctrl pin voltage is referenced to input GND.

### Output Specifications

Item	Operating Conditions	Min.	Typ.	Max.	Unit	
Voltage Accuracy <sup>①</sup>	0%-100% load	--	±1	±3	%	
Linear Regulation	Input voltage variation from low to high at full load	Positive output	--	±0.2		±0.5
		Negative output	--	±0.5		±1
Load Regulation <sup>②</sup>	5%-100% load	Positive output	--	±0.5		±1
		Negative output	--	±0.5	±1.5	
Cross Regulation	Dual output with Positive output at 50% load and Negative output from 10%-100% load	--	--	±5	μs	
Transient Recovery Time	25% load step change, nominal input voltage	--	300	500		
Transient Response Deviation		--	±3	±5	%	
Temperature Coefficient	Full load	--	--	±0.03	%/°C	
Ripple & Noise <sup>③</sup>	20MHz bandwidth, 5%-100% load	--	40	80	mV p-p	
Over-voltage Protection	Input voltage range	110	--	160	%Vo	
Over-current Protection		110	140	190	%Io	
Short-circuit Protection		Continuous, self-recovery				

Note: ① Output voltage accuracy of ±5VDC/±9VDC output converter for 0%-5% load is ±5% max;

② Load regulation for 0%-100% load is ±5%;

③ Ripple & Noise at < 5% load is 5%Vo. Max. The "parallel cable" method is used for Ripple and Noise test, please refer to DC-DC Converter Application Notes for specific information.

### General Specifications

Item	Operating Conditions	Min.	Typ.	Max.	Unit
Isolation	Input-output Electric Strength Test for 1 minute with a leakage current of 1mA max.	1500	--	--	VDC
Insulation Resistance	Input-output resistance at 500VDC	1000	--	--	MΩ
Isolation Capacitance	Input-output capacitance at 100KHz/0.1V	--	1000	--	pF
Operating Temperature	See Fig. 1	-40	--	+85	°C

Storage Temperature		-55	--	+125	°C
Storage Humidity	Non-condensing	5	--	95	%RH
Pin Soldering Resistance Temperature	Soldering spot is 1.5mm away from case for 10 seconds	--	--	+300	°C
Vibration		10-150Hz, 5G, 90min. along X, Y and Z			
Switching Frequency*	PWM mode	--	350	--	KHz
MTBF	MIL-HDBK-217F@25°C	1000	--	--	K hours

Note:\*Switching frequency is measured at full load. The module reduces the switching frequency for light load (below 50%) efficiency improvement.

Mechanical Specifications

Case Material	Aluminum alloy				
Dimensions	Horizontal package	25.40 x 25.40 x 11.70 mm			
	A2S chassis mounting	76.00 x 31.50 x 21.20 mm			
	A4S DIN-rail mounting	76.00 x 31.50 x 25.80 mm			
Weight	Horizontal package/A2S chassis mounting/A4S Din-rail mounting	12.5g/36.0g/56.0g (Typ.)			
Cooling method	Free air convection				

Electromagnetic Compatibility (EMC)

Emissions	CE	CISPR32/EN55032	CLASS A (Without external components)/ CLASS B (see Fig.3-② for recommended circuit)	
	RE	CISPR32/EN55032	CLASS A (Without external components)/ CLASS B (see Fig.3-② for recommended circuit)	
Immunity	ESD	IEC/EN61000-4-2	Contact ±4KV	perf. Criteria B
	RS	IEC/EN61000-4-3	10V/m	perf. Criteria A
	EFT	IEC/EN61000-4-4	±2KV (see Fig.3-① for recommended circuit)	perf. Criteria B
	Surge	IEC/EN61000-4-5	line to line ±2KV (see Fig.3-① for recommended circuit)	perf. Criteria B
	CS	IEC/EN61000-4-6	3 Vr.m.s	perf. Criteria A
	Voltage dips, short interruptions and voltage variations immunity	IEC/EN61000-4-29	0%, 70%	perf. Criteria B

Typical Characteristic Curves

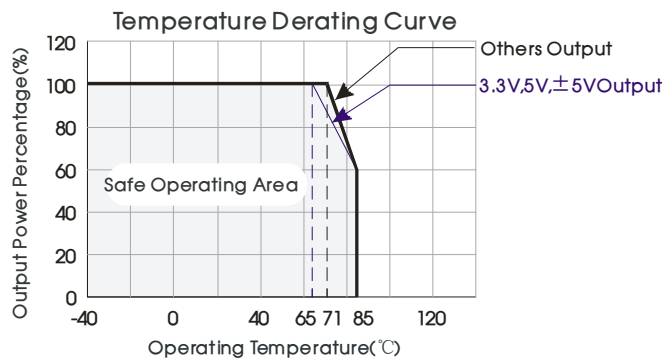
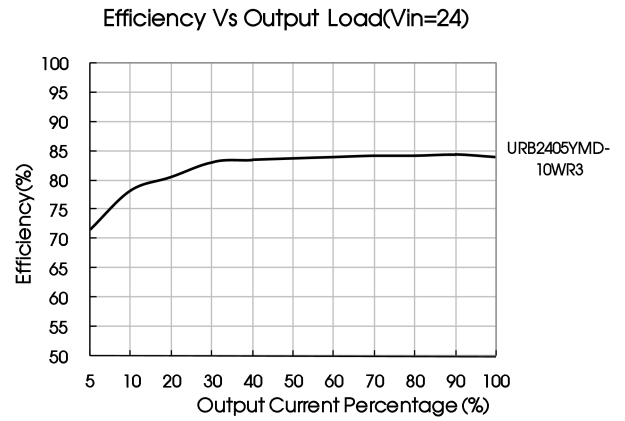
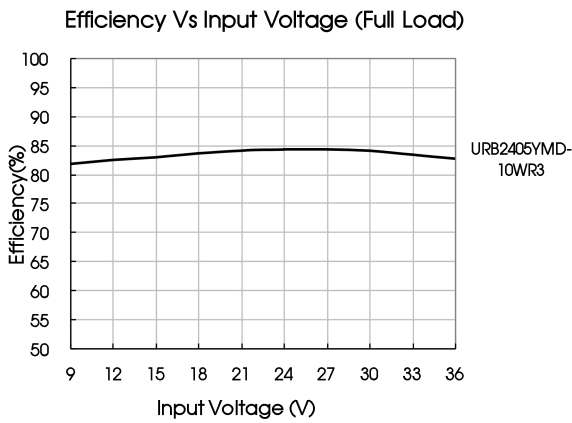
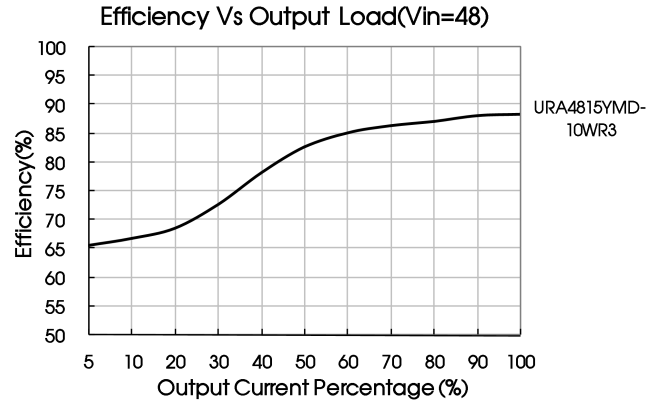
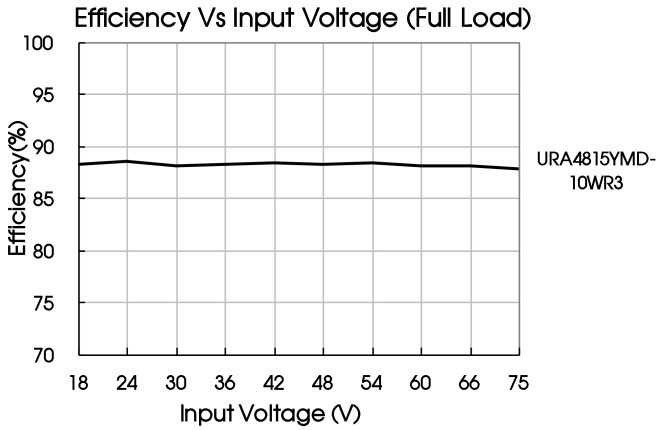


Fig. 1

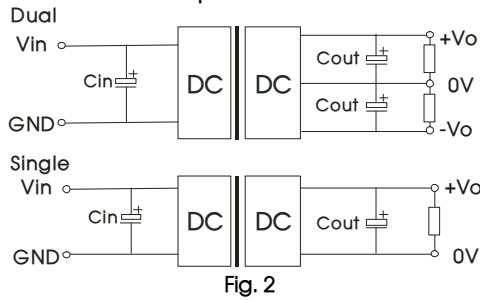


## Design Reference

### 1. Typical application

All the DC/DC converters of this series are tested before delivery using the recommended circuit shown in Fig. 2.

Input and/or output ripple can be further reduced by appropriately increasing the input & output capacitor values  $C_{in}$  and  $C_{out}$  and/or by selecting capacitors with a low ESR (equivalent series resistance). Also make sure that the capacitance is not exceeding the specified max. capacitive load value of the product.



$V_{in}$	24V	48V
$C_{in}$	100 $\mu$ F	10 $\mu$ F -47 $\mu$ F
$C_{out}$	10 $\mu$ F	

2. EMC compliance circuit

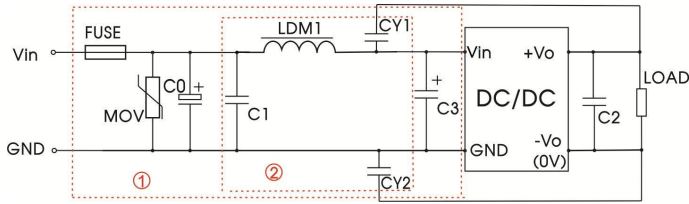


Fig. 3

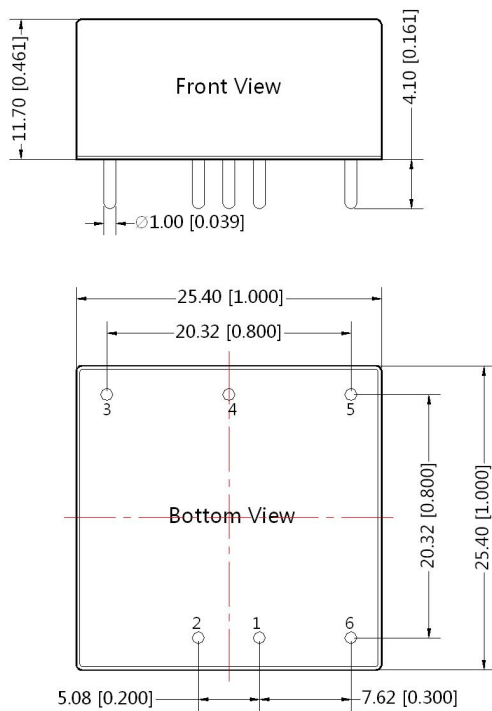
Notes: Part ① in the Fig. 3 is used for EMC test and part ② for EMI test

Parameter description:

Model	Vin:24V	Vin:48V
FUSE	Choose according to actual input current	
MOV	S20K30	S14K60
C0/C3	330μF/50V	
C1	1μF/50V	1μF/100V
C2	Refer to the Cout in Fig.2	
LDM1	4.7μH	
CY1/CY2	1nF/2KV	

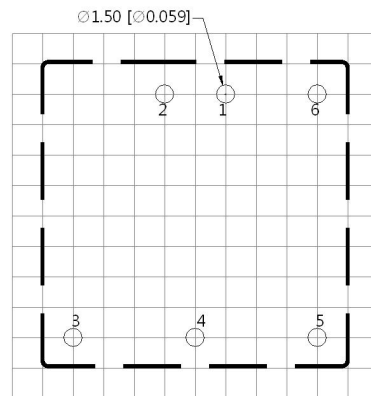
- 3. The products do not support parallel connection of their output
- 4. For additional information please refer to DC-DC converter application notes on [www.mornsun-power.com](http://www.mornsun-power.com)

Dimensions and Recommended Layout



Note:  
 Unit :mm[inch]  
 Pin diameter tolerances :±0.10[±0.004]  
 General tolerances:±0.50[±0.020]

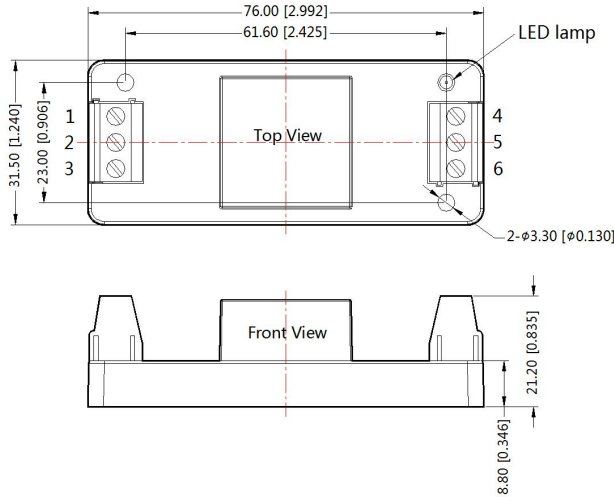
THIRD ANGLE PROJECTION



Pin	Pin-Out	
	Single	Dual
1	GND	GND
2	Vin	Vin
3	+Vo	+Vo
4	No Pin	0V
5	0V	-Vo
6	Ctrl	Ctrl

URA\_YMD-10WR3A2S & URB\_YMD-10WR3A2S Dimensions

THIRD ANGLE PROJECTION 

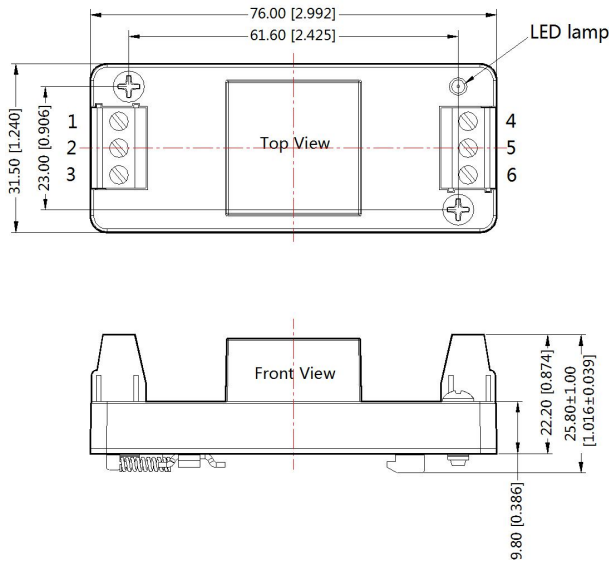


Pin-Out						
Pin	1	2	3	4	5	6
Dual	Ctrl	GND	Vin	-Vo	0V	+Vo
Single	Ctrl	GND	Vin	0V	NC	+Vo

Note:  
Unit: mm[inch]  
Wire range: 24-12 AWG  
Tightening torque: Max 0.4 N·m  
General tolerances: ±0.50[±0.020]

URA\_YMD-10WR3A4S & URB\_YMD-10WR3A4S Dimensions

THIRD ANGLE PROJECTION 



Pin-Out						
Pin	1	2	3	4	5	6
Single	Ctrl	GND	Vin	0V	NC	+Vo
Dual	Ctrl	GND	Vin	-Vo	0V	+Vo

Note:  
Unit: mm[inch]  
Mounting rail: TS35  
Wire range: 24-12 AWG  
Tightening torque: Max 0.4 N·m  
General tolerances: ±0.50[±0.020]

- Note:
- For additional information on Product Packaging please refer to [www.mornsun-power.com](http://www.mornsun-power.com). Packaging bag number: 58210003 (DIP), 58220022(A2S/A4S package);
  - The maximum capacitive load offered were tested at input voltage range and full load;
  - Unless otherwise specified, parameters in this datasheet were measured under the conditions of Ta=25°C, humidity<75%RH with nominal input voltage and rated output load;
  - All index testing methods in this datasheet are based on Company's corporate standards;
  - We can provide product customization service, please contact our technicians directly for specific information;
  - Products are related to laws and regulations: see "Features" and "EMC";
  - Our products shall be classified according to ISO14001 and related environmental laws and regulations, and shall be handled by qualified units.

Mornsun Guangzhou Science & Technology Co., Ltd.

Address: No. 5, Kehui St. 1, Kehui Development Center, Science Ave., Guangzhou Science City, Luogang District, Guangzhou, P. R. China  
Tel: 86-20-38601850 Fax: 86-20-38601272 E-mail: sales@mornsun.cn www.mornsun-power.com