

## AC1030 • 30 Amp Current Transformer

### Low Cost 50/60Hz Current Transformers

#### Applications

- Sensing Overload Current
- Ground fault detection
- Metering
- Analog to Digital Circuits

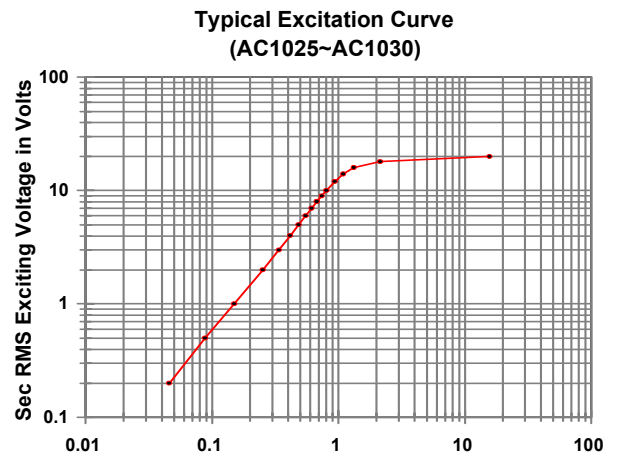
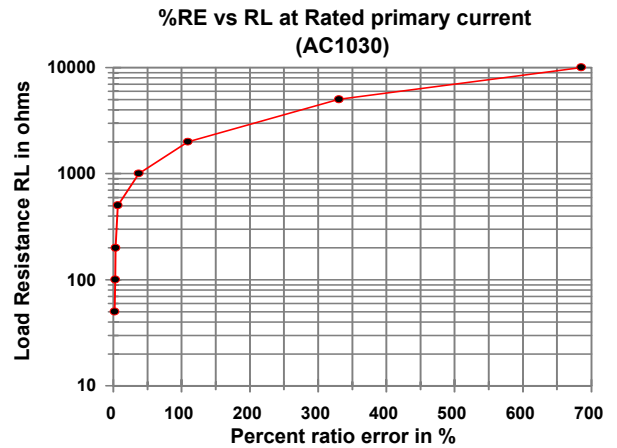
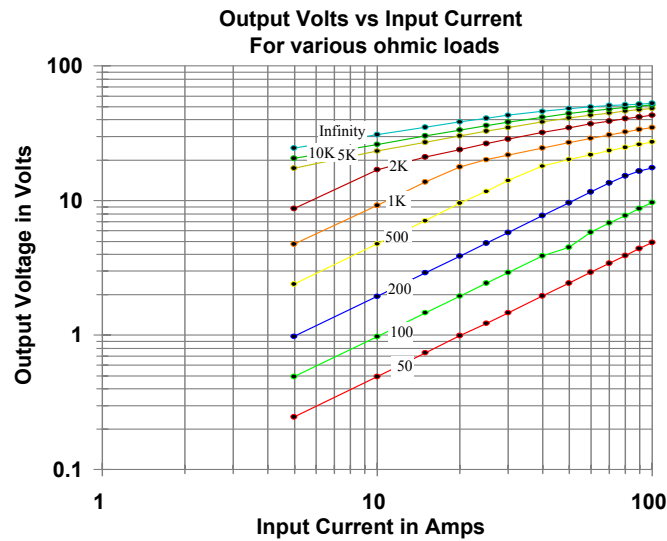
#### Features

- Competitive pricing due to high volume production
- Confirms to UL94V-0
- Manufactured in an ISO 9001:2015 and ISO 14001:2015 certified Talema facility
- Fully RoHS & REACH Compliant

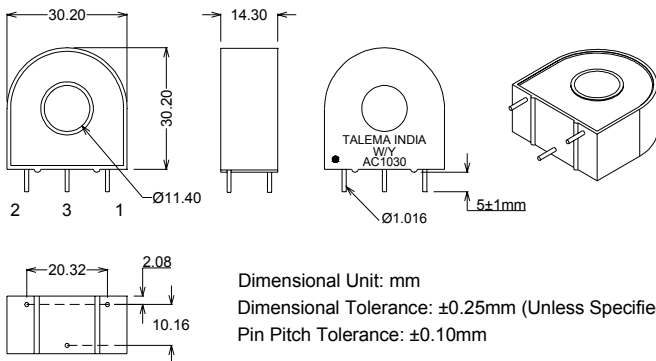


Electrical Specifications @ 20°C ambient	
Primary Current	30A nom., 75A max.
Turns Ratio	1000:1 nominal
Volt per Amp Ratio at 30A for 100 Ohms load	0.100 V/A
Volt per Amp Ratio at 3A for 100 Ohms load	0.098 V/A
DC Resistance at 20°C	48 Ohms
Dielectric Withstanding Voltage (Hi-pot)	4KVrms

Environmental Specifications	
Storage Temperature	-55° to +130°C
Insulation Resistance	100 megohms min.

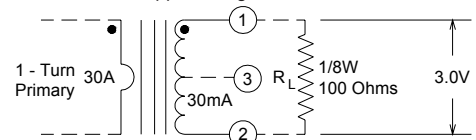


#### Mechanical Drawing



#### Notes:

- 1) Unless requested, the terminating resistor and the one-turn primary are not supplied
- 2) Pin 3: Normally for mechanical support only but will be used on center tapped designs



**Regional Locations - Design, Manufacturing, Sales & Marketing**

**Talema Group Regional Offices**

**North America**

**United States**  
(Sales & Marketing)

**Talema Group, LLC**  
PO Box 935  
900 Innovation Drive  
Suite 120, Rolla  
Missouri 65402  
Tel: +1 573-303-3675  
E-Mail:  
sales@talemagroup.com  
Web: www.talema.com

**Asia**

**India**  
(Design, Manufacturing, Sales & Marketing)

**Administrative Office**  
**Talema Electronic India Private Limited**  
Door No. 221, 1st and 2nd Floor  
KJ Plaza, Opp.to Vidya Mandir School  
Meyanoor Main Road  
Salem - 636 004 Tamil Nadu INDIA  
Tel: +91 427 - 243 3100  
Fax: +91 427 - 243 3109  
E-Mail: talema@talemaindia.net  
Web: www.talema.com

**Factory Premises**  
**Talema Electronic India Private Limited**  
Plot Nos. 30, 31 Electrical and Electronic  
Industrial Estate  
Suramangalam  
Salem - 636 005 Tamil Nadu INDIA  
Tel: +91 427 - 243 3000  
E-Mail: talema@talemaindia.net  
Web: www.talema.com

**Europe**

**Germany**  
(Design, Sales & Marketing)

**Talema Elektronik GmbH**  
Sembdnerstr. 5  
82110 Germering  
Tel: +49 89 - 841 00 - 0  
Fax: +49 89 - 841 00 25  
E-Mail: info@talema.de  
Web: www.talema.com

**Ireland**  
(Design, Sales & Marketing)

**Nuvotem TEO**  
Units W & X, Gweedore Business Park  
Derrybeg, Letterkenny, Co. Donegal  
Tel: +353 (0) 74 95 48666  
Fax: +353 (0) 74 95 48139  
E-Mail: info@nuvotem.com  
Web: www.nuvotem.com

**Czech Republic**  
(Design, Manufacturing, Sales & Marketing)

**NT Magnetics s.r.o.**  
Chebská 27  
322 00 Plzeň  
Tel: +420 377 - 338 351  
Fax: +420 377 - 338 350  
E-Mail: talema@talema.cz  
Web: www.ntmagnetics.cz

**Locations of Talema Group Regional Offices**

