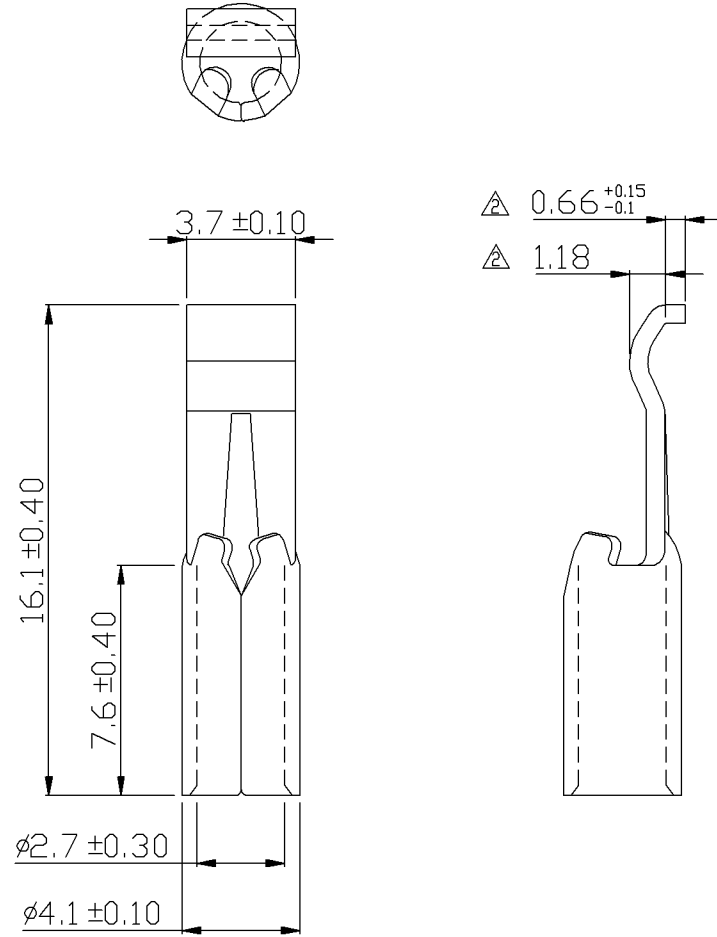


REV	DESCRIPTION	DATE
-----	-------------	------

△ RDC-99311		蔡宗儒 2010/09/01
△ RDCM-101048		謝婉如 2012/05/03



NOTE:

△ 1. MAXIMUM ELECTRIC CURRENT : 

A.W.G.	16	14	12
AMP.	18	20	30

2. WIRE RANGE : 16-12 A.W.G. ( 1.5-4 mm<sup>2</sup> )

3. SURFACE TREATMENT : SILVER PLATED

Tolerance Unless Otherwise Specified	
0 > 6 mm ± 0.20	ANGLE
6 > 18 mm ± 0.30	0° > ° REF ±
18 > 30 mm ± 0.40	° > ° ±
30 > 75 mm ± 0.50	° > ° ±

NAME	BATTERY MODULAR CONNECTORS 30 Amp CONTACTS				UNIT	mm		
PART NO.	BMC2AG	MATERIAL	COPPER PLATE	APPROVE				
NUMBER	KT-93153-C	SCALE	SHEET	PAGE	CHECKED			
DATE	2004/05/11	4/1	2-2	10F1	DRAWN	張馨尹		

**KST** K.S. TERMINALS INC.