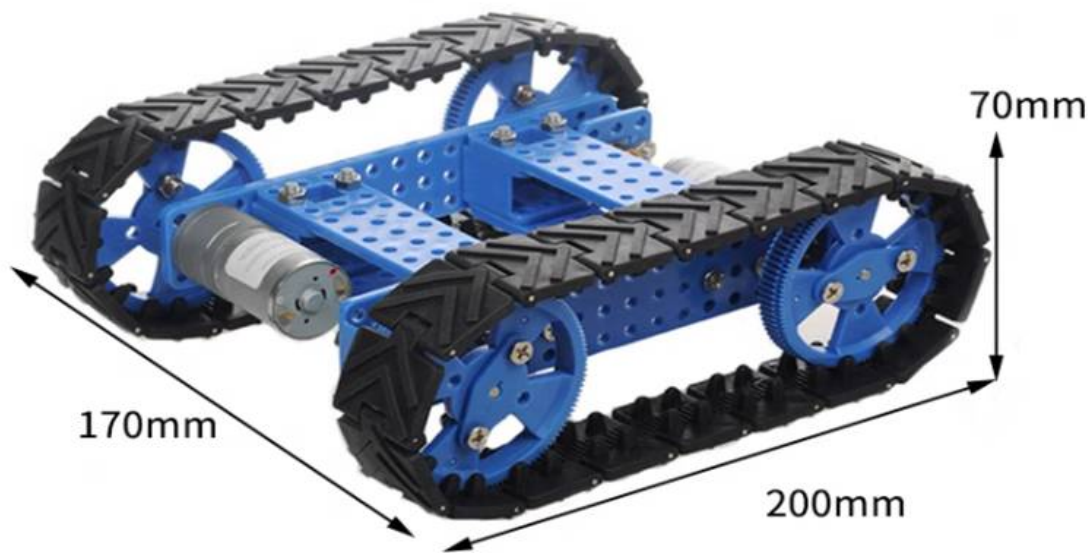






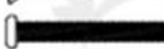






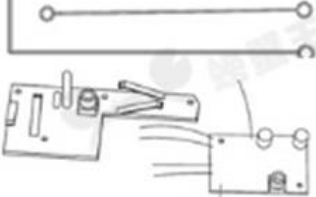












DIY Assembling Tracked Tank Car Robot Kit with Remote Control for Arduino No.25

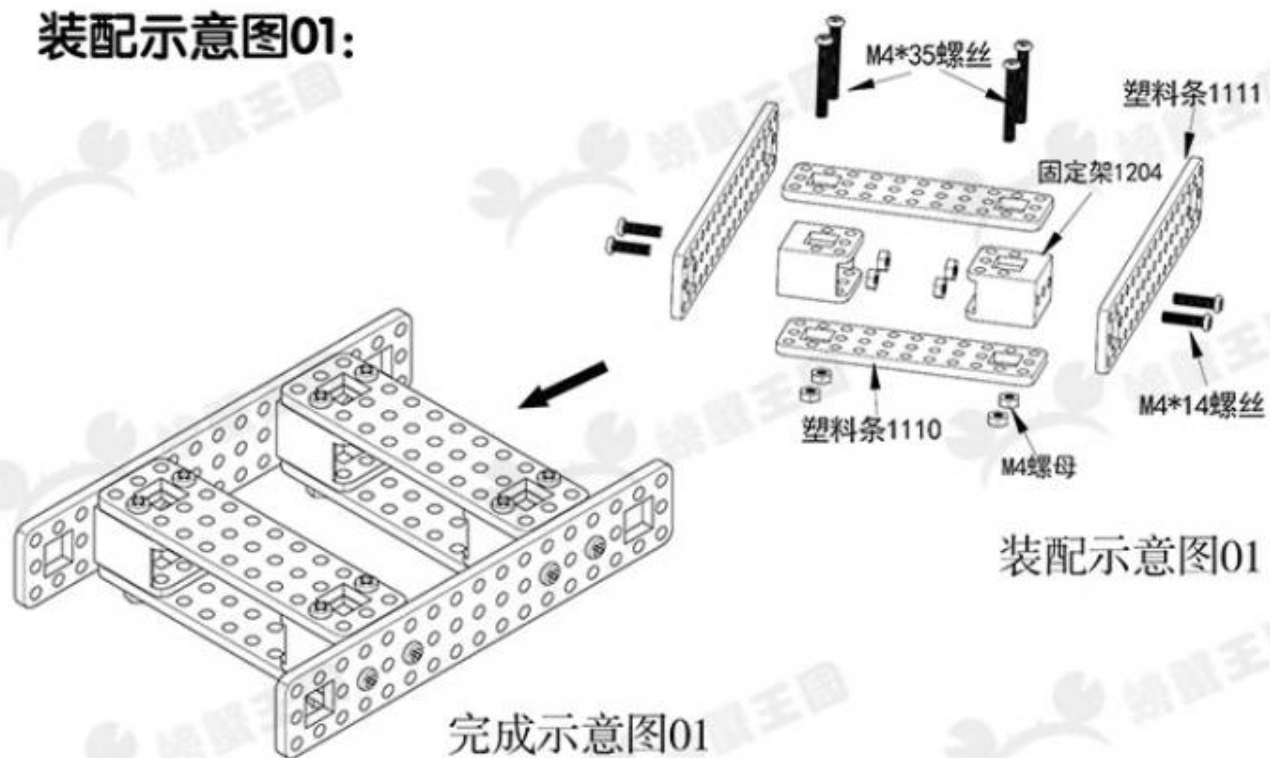
P/N: 1003990 / 180683



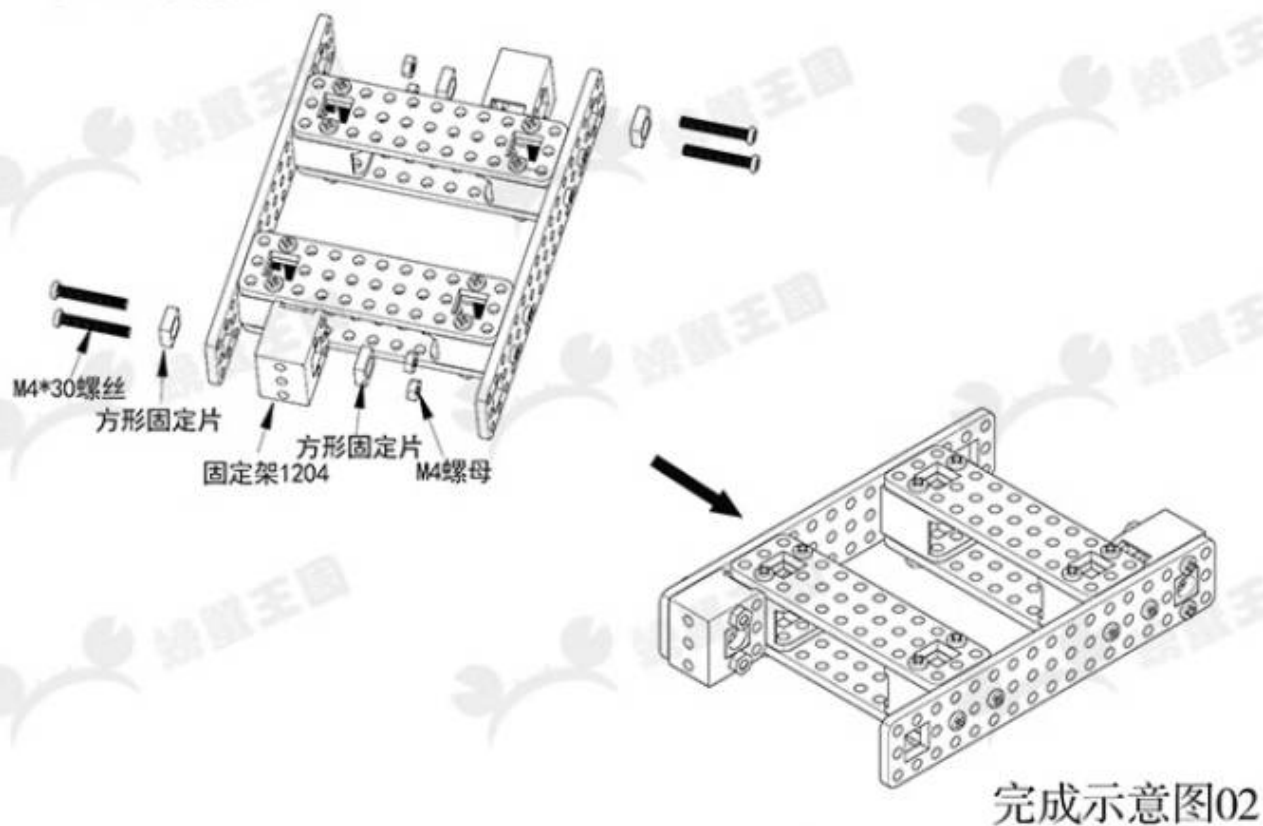
Assembly parts list:

	M2*12	*4		96t Gear	*4
	M3*8	*8		Tank track #01	*40
	M4*14	*16		Axis 1.52 pin	*40
	M4*30	*4		Plate 1110	*4
	M4	*22		Plate 1111	*2
	M3	*4		370 Motor	*2
	M2	*4		PCB	*1
	D4 Fixing Piece	*4		N°2 Battery Box	*1
	Square film	*4		4x AA Battery holder	*1
	Flange bearing	*4			
	Wheel lockbush	*4			
	Block 1204	*6			
	Bracket 1203	*2			
	D-Shaft	*2			
	Allen key	*1			

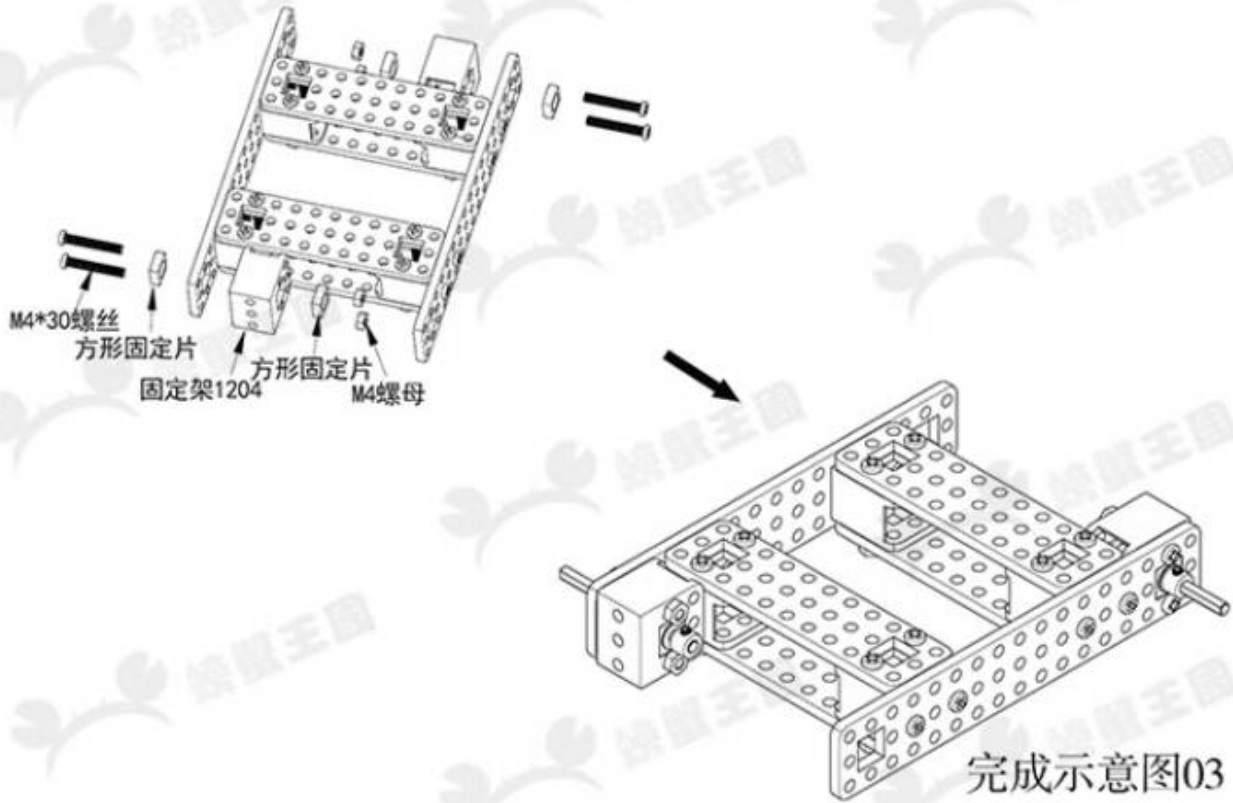
装配示意图01:



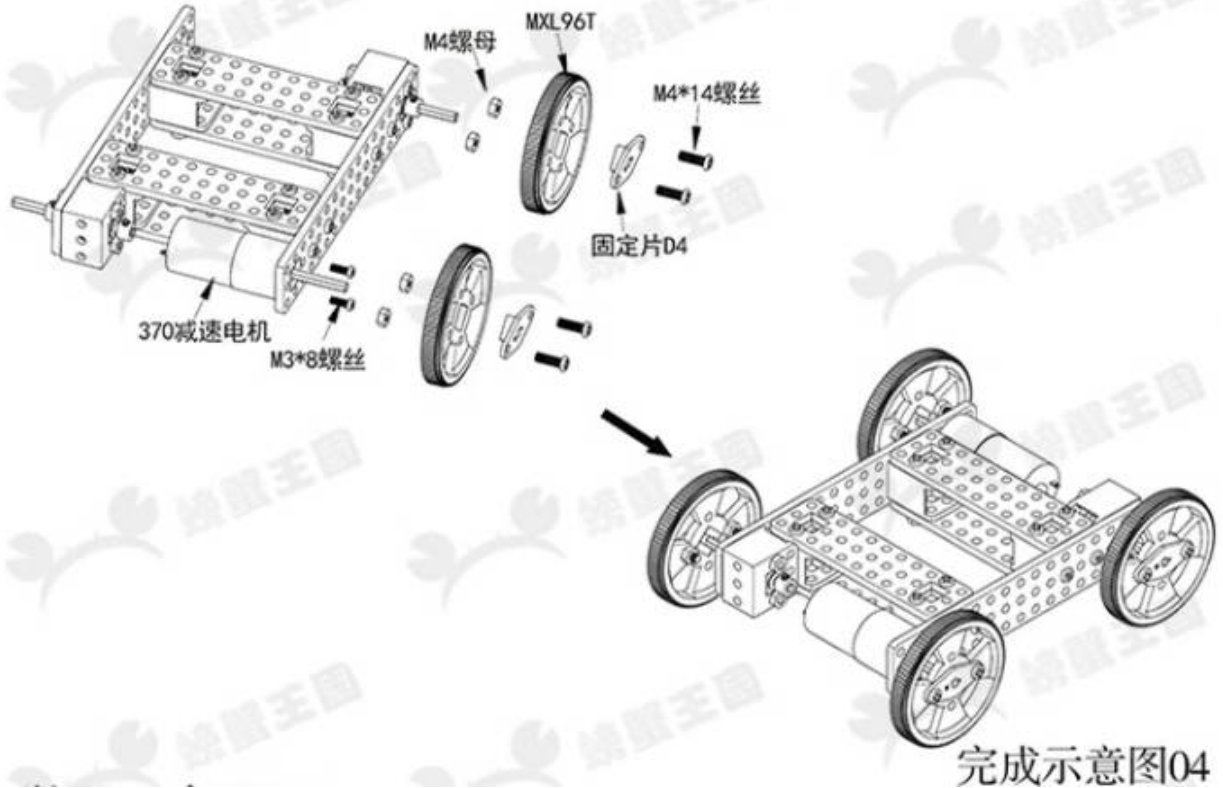
装配示意图02:



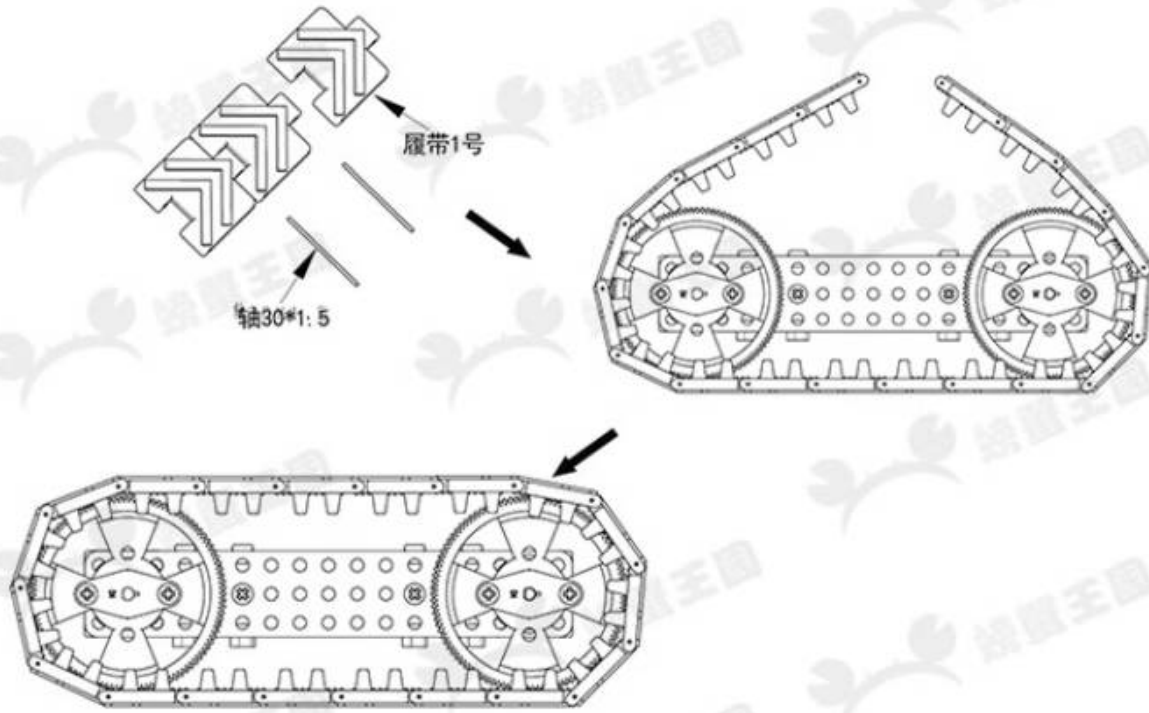
装配示意图03:



装配示意图04:



装配示意图05:



完成示意图05

履带坦克25号

