



Driven by **Powertech**

SPECIFICATION		
16A Plug top 1054 RD (RED Dedicated)		Rev.
Nr. 2040-0276	Date: 31/3/2016	B

ELECTRICAL SPECIFICATIONS

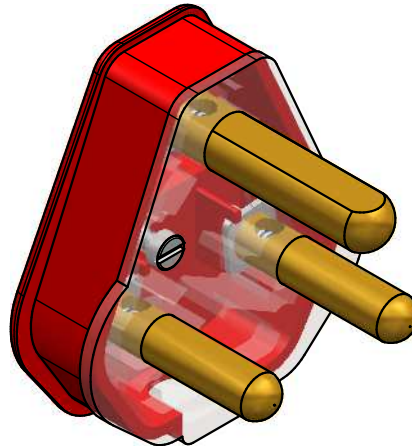
In = 16A
Ue = 230V
STD = SANS 60884-1
Non Dedicated : SANS 164-1
Dedicated : SANS 164-4
VC 8008

CERTIFICATION



Permit No. 9016/14287
LOA No. 91798/002

PRODUCT RANGE
DOMESTIC



MATERIAL

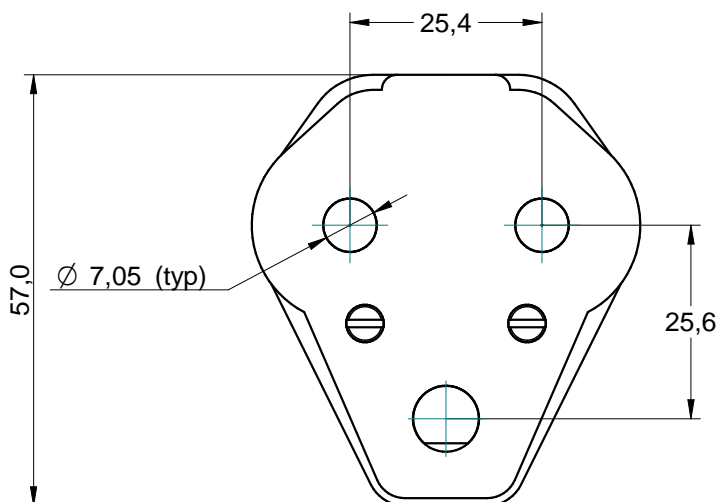
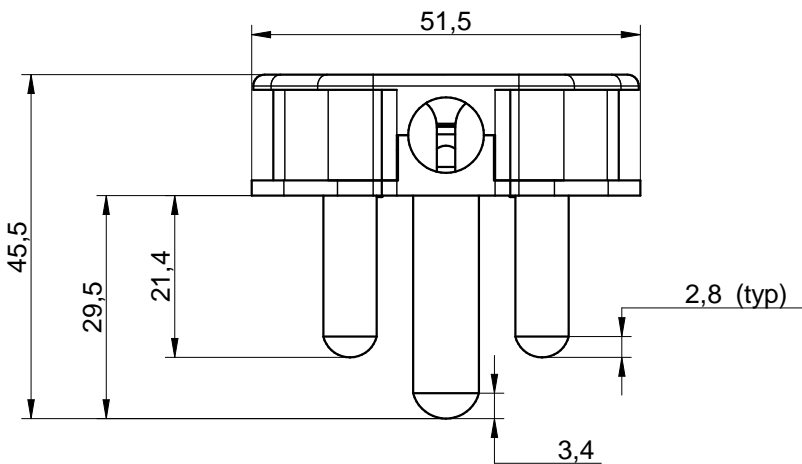
**BASE & COVER - POLYCARB
PINS - BRASS**

RED DEDICATED COLOUR
RAL 3020

CABLE (OUTER DIAMETER)
MAX Ø 10mm
MIN Ø 6mm

CRABTREE HEAD OFFICE
Cnr Wadeville and Davidson rd.
Wadeville
Germiston

Tel: +27 11 874 7600
0860 SOCKET (76 2538)
Email : queries@crabtree.co.za



DETAILS OF DEDICATED PIN (RED)

