

THE POWERLINE SERIES

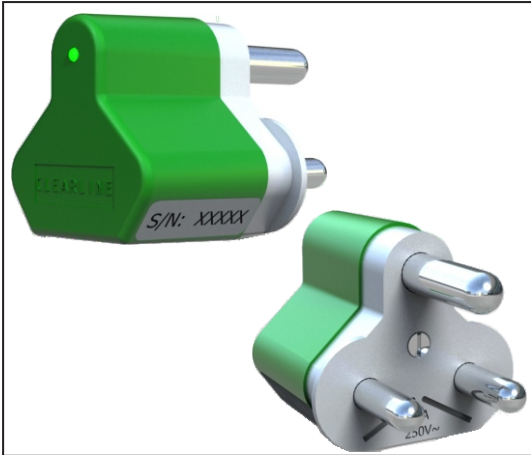
Surge Plug

Features

- High surge handling capability
- Economical secondary protection
- Thermal fusing
- Visual fault indication
- Differential and common mode protection

Surge plugs are used for the secondary protection of computers, video equipment, TV, alarms and other electronic equipment. They are available in the normal 16A round pin.

These plugs are fitted with a thermal fuse. In the rare event of varistor failure, the varistors are disconnected from the mains supply, preventing any dangerous temperature rise. The fault indication LED which is normally lit will go OFF to indicate the faulty protection has been disconnected. Mains power will still be available to the unprotected equipment.

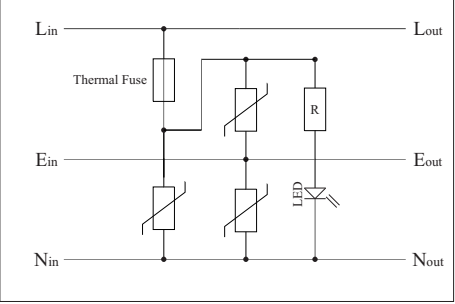


*Specifications subject to change without prior notice due to continuous improvements

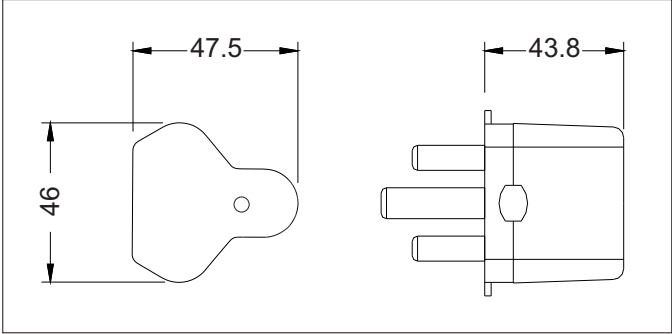
Specifications	
Power Surge Protection	
Nom. Input Voltage (U_{ref})	230VAC 50Hz
Max. Input Voltage (U_c)	275VAC 50Hz
Max. Continuous Current (I_{max})	16A
Test Class	Class III T3
Open Circuit Voltage (U_{oc})	6kV
Voltage Protection Level (U_p)	<1.2kV
Nom. Discharge Current (I_n)	3kA L-N, L-E, N-E (8/20us) (>10 strikes)
Max. Discharge Current (I_{max})	8kA L-N, L-E, N-E (8/20us) (1 strike)
Response Time	<25ns

Other	
Indication	Protected when Lit - LED
Temperature Range	-10°C to +70°C
Degree of Protection	IP20
Standard Compliance	IEC 61643-11
Lead Length	N/A
Input Connectors	16A 3Pin Plug
Output Connectors	Screw Terminal
Earth Pin	Round
Dimensions	47.5x46x43.8mm
Weight	0.07kg

Circuit Diagram



Dimensions



Designed and Manufactured by:
Clearline Protection Systems (Pty) Ltd
 385 Roan Crescent Corporate Park North, Old Pta Road,
 Midrand, South Africa
 P.O. Box 5985, Halfway House, 1685
 Tel: +27 (0) 11 848-1100
 Fax: +27 (0) 11 314-3880
 E-mail: info@clearline.co.za
 www.clearline.co.za

