

Foot switch FS-1

Wire length:10cm (3 cores wire)

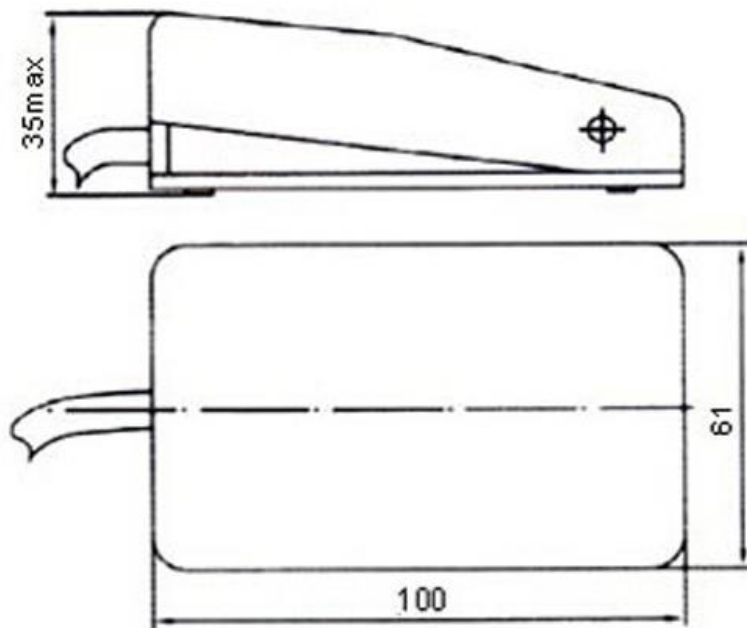
Contact port: one normally open, one normally close

Shell material: Aluminum

Net weight: 170g

Operating frequency: 120times/ min

Mechanical life: 1 million times



侧面展示



背面展示

