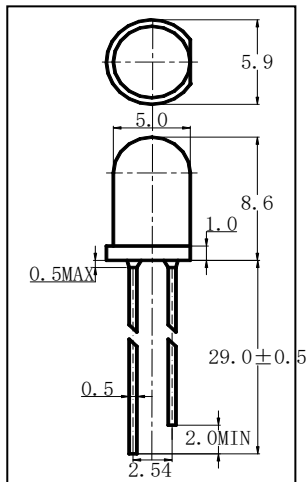


Part number system for led lamp CZ504PC / 181431 (φ5MM loog feet)

Package Dimensions: (Unit) : mm



CHIP	
Material	GaP
Color	Violet
Colloid	
Material	环氧树脂
Color	Transparent

Absolute Maximum Ratings (Ta=25°C)

Parameter	Symbol	Value	Unit
Max Power Dissipation	P_M	80	mW
Max Continuous Forward Current	I_{FM}	20	mA
Max Reverse Voltage	V_{RM}	5	V
Peak Forward Current	I_{FP}	75	mA
Lead Soldering Temperature/Time	T_{SOL}	240/≤3S	°C/S
Operating Temperature Range	T_{OPR}	-25~+85	°C
Storage Temperature Range	T_{STR}	-30~+100	°C

Initial Electrical Optical Characteristics

Parameter	Symbol	Min.	Typ.	Max.	Unit	Condition
Luminous Intensity	I_v	100	200	300	mcd	$I_F=20mA$
Viewing Angle	$2\theta_{1/2}$	/	25	/	deg	$I_F=20mA$
Peak Wave Length	λ_p	/	400	/	nm	$I_F=20mA$
Dominant Wave Length	λ_d	390	400	410	nm	$I_F=20mA$
Spectral Width at half height	$\Delta\lambda$	/	30	/	nm	$I_F=20mA$
Forward Voltage	V_F	3.0	3.2	3.4	V	$I_F=20mA$
Reverse Current	I_R	/	/	≤30	μA	$V_R=5V$