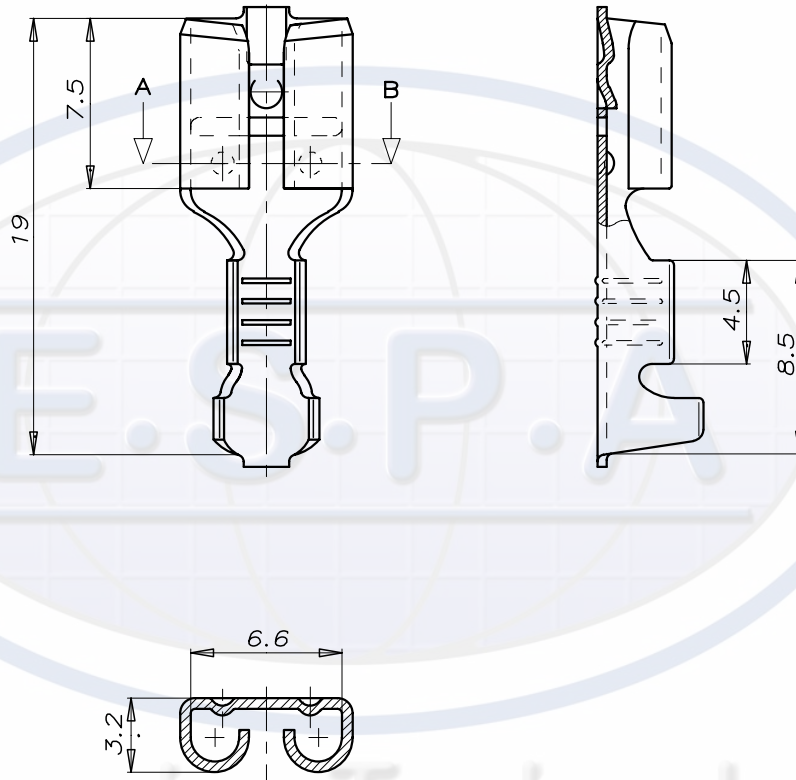


RECEPTACLE for tab width 6.3mm



Section A-B

Part number	Wire cross section mm ²	Tab thickness	Material / Surface finish	Material thickness	Packing	Form
25009.123.204L	0.75-1.5	0.8 mm	Brass	0.4 mm	7000	CF / S
25032.123.204L	1.5-2.5	0.8 mm	Brass	0.4 mm	7000	CF / S
25040.123.204L	0.5-1.0	0.8 mm	Brass	0.4 mm	8000	CF / S
25009.213.204L	0.75-1.5	0.8 mm	Bronze	0.4 mm	7000	CF / S
25032.213.204L	1.5-2.5	0.8 mm	Bronze	0.4 mm	7000	CF / S
25040.213.204L	0.5-1.0	0.8 mm	Bronze	0.4 mm	8000	CF / S
25009.411.131L	0.75-1.5	0.8 mm	Steel/nickel plated	0.4 mm	7000	CF / S
25032.411.131L	1.5-2.5	0.8 mm	Steel/nickel plated	0.4 mm	7000	CF / S
25040.411.131L	0.5-1.0	0.8 mm	Steel/nickel plated	0.4 mm	8000	CF / S
25047.123.204L	2.5-6.0	0.8 mm	Brass	0.4 mm	4000	CF / S
25047.213.204L	2.5-6.0	0.8 mm	Bronze	0.4 mm	4000	CF / S
25047.411.131L	2.5-6.0	0.8 mm	Steel/nickel plated	0.4 mm	4000	CF / S

Form: CF(chain form) – S(single pcs)
Terminal Feed: "E"

Manufactured to DIN 46247

(on request the above parts are available in single pieces)