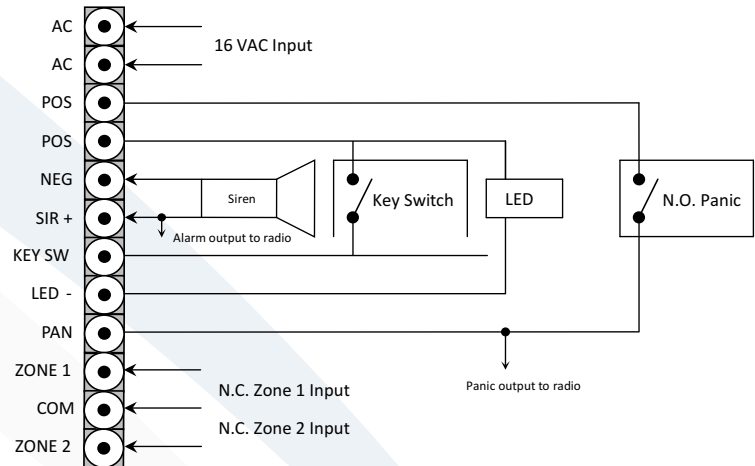




TECHNICAL DATA INFORMATION 2 Zone Alarm PCB

SPECIFICATIONS

- 16VAC Input
- 1A Battery Charger Circuit
- Fused Board
- 12VDC Output
- Key switch input for arm / disarm and reset
- LED Status output / alarm memory armed or disarmed
 - Separate Panic input.
- 2 Zone Inputs.
- 1 Minute timed siren output.



INSTALLATION

ALARM OFF:

- Panic activates 3 minute timer
- Status LED flashes as follows
 - Zone 1 OPEN once every second
 - Zone 2 OPEN twice every second
 - Zone 1 and 2 OPEN three times every second

ALARM ON:

- Status LED on

ALARM MEMORY:

- Status LED flashes slowly
- Timer may be reset with KEY switch

N.O. KEY SWITCH:

- Input is a pulse type trigger
- **Optional Receiver Version** to CODE a remote into the system, with power off short PANIC input to POS, power up the unit, status LED will be ON, press and hold button 1 on the remote and remove the link from PANIC to POS. Unit will learn the new remote, code other remotes the same as the one learnt into the unit