

PART NO. : 3O4HD-A40T605

Emitting Color: Amber

Lens Color: Amber diffused

Absolute Maximum Ratings

| Parameter | Symbol | Max | Unit |
|-----------------------------|------------------|------------|------|
| Power Dissipation | Pd | 40 | mW |
| Peak Forward Current | I _{fp} | 150 | mA |
| Continuous Forward Current | I _f | 20 | mA |
| Reverse Voltage | V _R | 5 | V |
| Operating Temperature Range | T _{opr} | -40 → +85 | °C |
| Storage Temperature Range | T _{stg} | -40 → +100 | °C |

*Lead Soldering Temperature: 260°C for 3 seconds

Optical-Electrical Characteristic

| Parameter | Test Condition | Symbol | Min | Type | Max | Unit |
|---------------------|----------------------|-------------------|-----|------|-----|------|
| Luminous Intensity | I _F =20mA | I _v | 150 | | 200 | Mcd |
| Forward Voltage | I _F =20mA | V _F | | 2.0 | | V |
| Reverse Current | V _R = 5V | I _R | - | 20 | | uA |
| Dominate Wavelength | I _F =20mA | λ _p | 601 | | 606 | nm |
| Spectral Bandwidth | I _F =20mA | Δλ | - | 20 | - | nm |
| View Angle | I _F =20mA | 2θ _{1/2} | | 40 | | Deg. |

Package Dimension (Unspecified Tolerances: X±0.2mm)

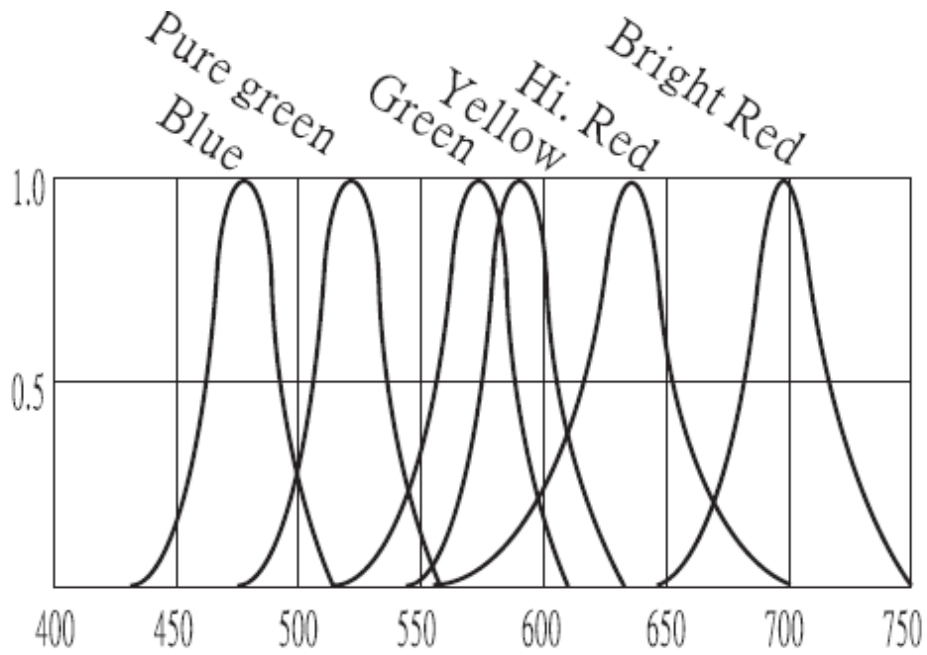
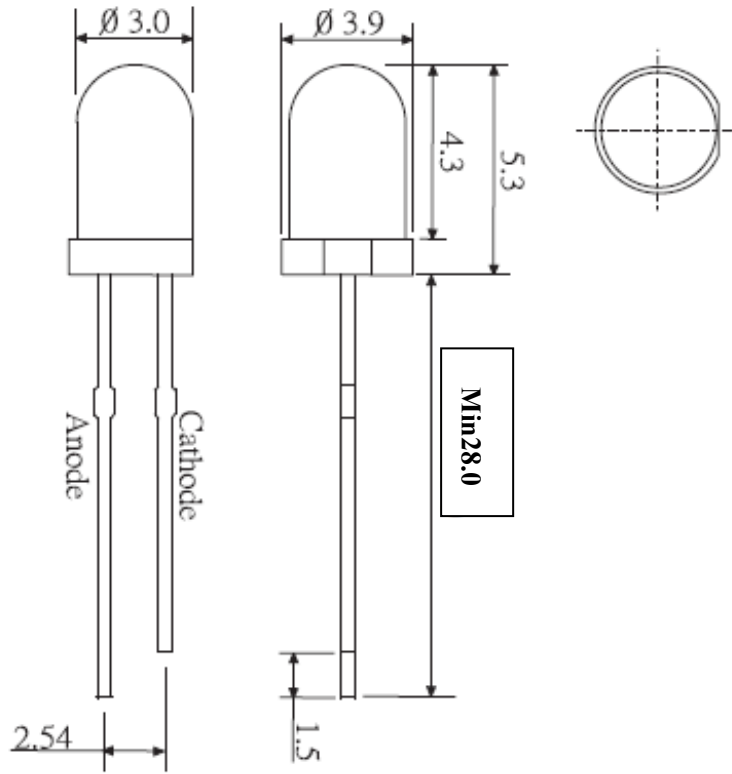


Fig. 1

Wavelength λ (nm)
Relative Intensity vs. Wavelength