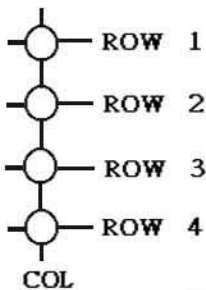




ACCORD CO., LTD.



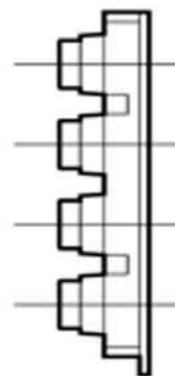
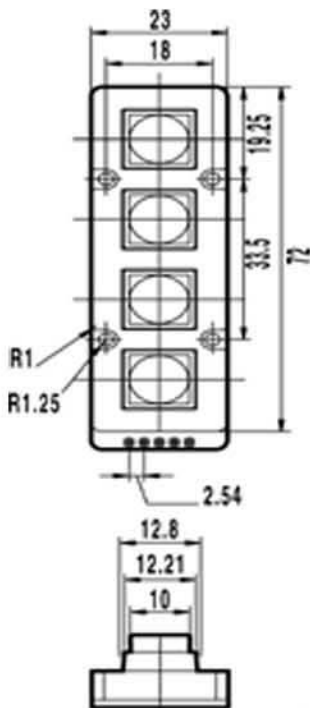
AK-104

OUTPUT ARRANGEMENT	
OUTPUT PIN NO.	SYMBOL
1	ROW 1
2	ROW 2
3	ROW 3
4	ROW 4
5	COL

### GENERAL SPECIFICATION

- Contact rating: 20mA, 24VDC
- Contact resistance: 200 ohm max
- Life: 2,000,000 cycles per key
- Operating Temperature: -20°C to +60°C
- Storage Temperature: -40°C to +65°C

AK-104-B-SSS-WP-MM



ACTUATING FORCE: 150 ± 30 GRAMS.  
STROKE: 2.0 ± 0.5 mm.

### ACCORD CO., LTD.

8th Fl., No. 398, Jen Ai Road, Sec. 4, Taipei, Taiwan  
 Tel: 886-2-2704-4503  
 Fax: 886-2-2703-6358  
 E-mail: accordia@ms4.hinet.net  
<http://www.accordia.com.tw>