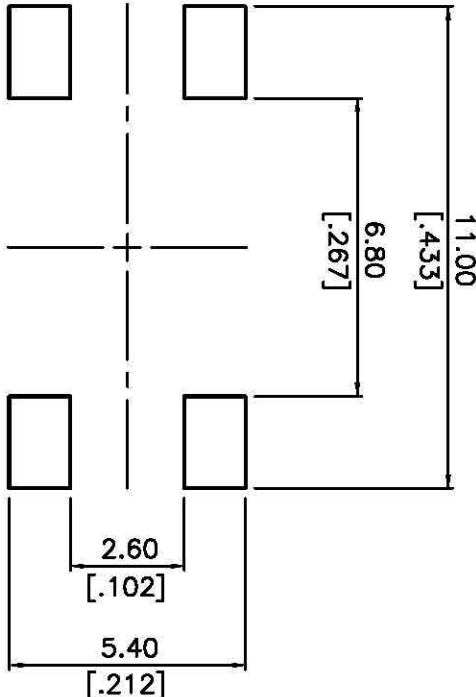
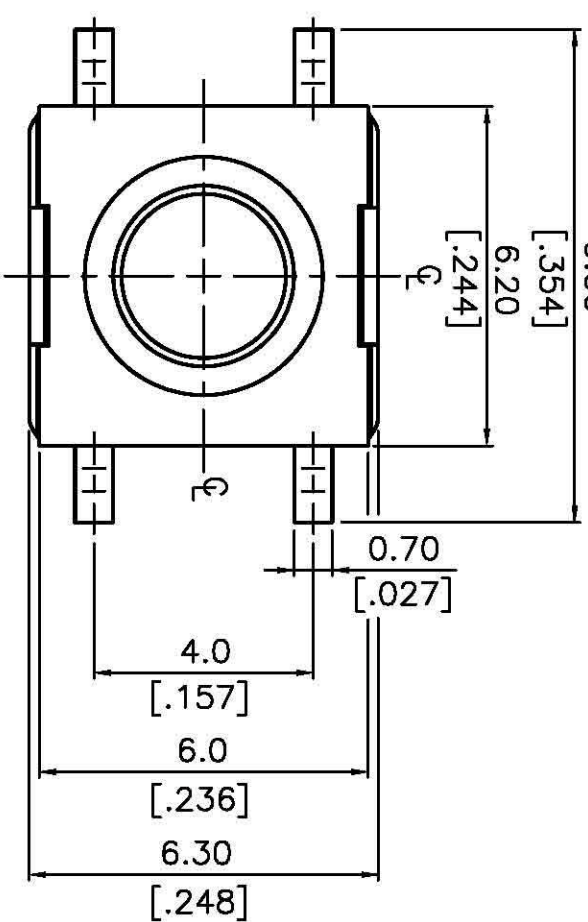


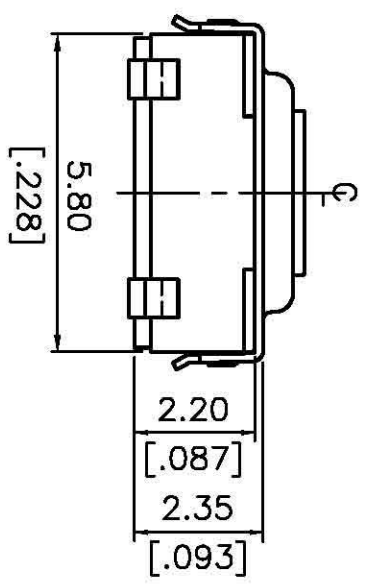
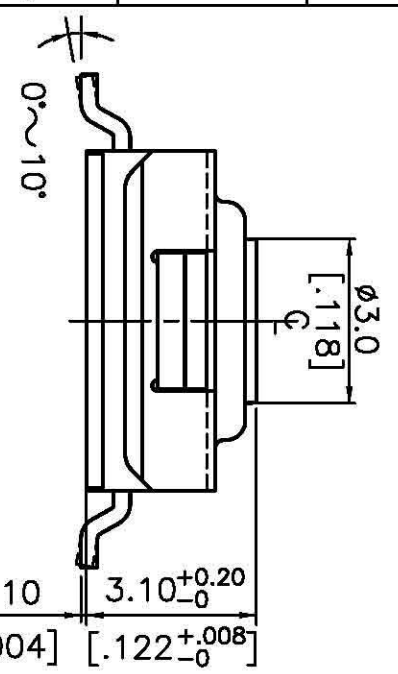
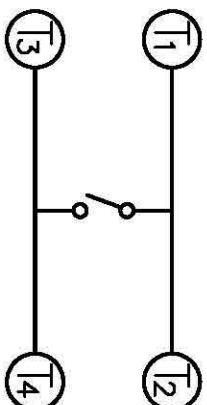
NOTE:
 1. ALL DIMENSIONS ARE IN MILLIMETERS, BRACKETED DIMENSIONS ARE IN INCHES.
 2. GENERAL TOLERANCES MAX. ±0.20mm.
 3. MATERIAL & □ : SEE PAGE 3 OF 3.



(SCALE 8:1)

P.C.B. LAYOUT

CIRCUIT DIAGRAM



ZONE	REV	DESCRIPTION	DATE	APPD.
Δ				
Δ				
Δ	A	DWG. REVL	05/02/21	

APPR.	QTY.	SCALE	UNITS	PART NO.	MATL.	FINISH
CHKD:	SCALE: 10 : 1		mm	B17320		
DWG:	REV: A					
DESIGN:						

PART NAME:	DWG NO.:
PLCT SWITCH G2R GRT / VASIBALE TT2R (25-8.1mm)	R D S P G W 8

SHALLIN ELECTRONICS CO., LTD.