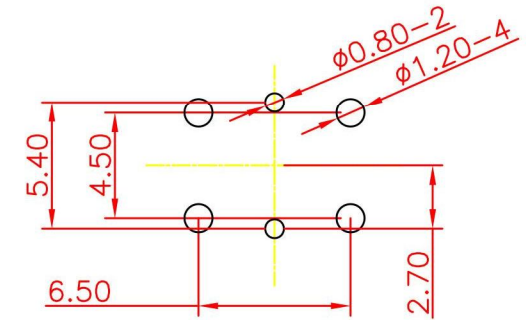
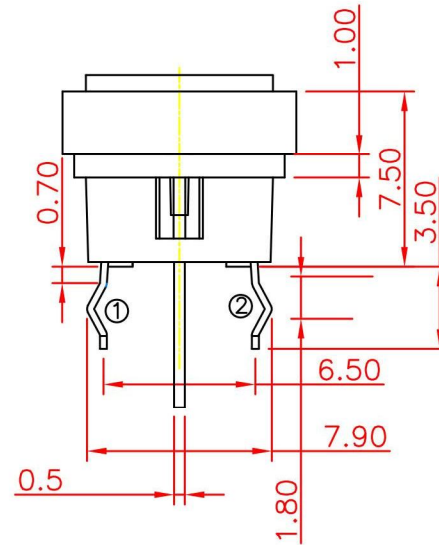
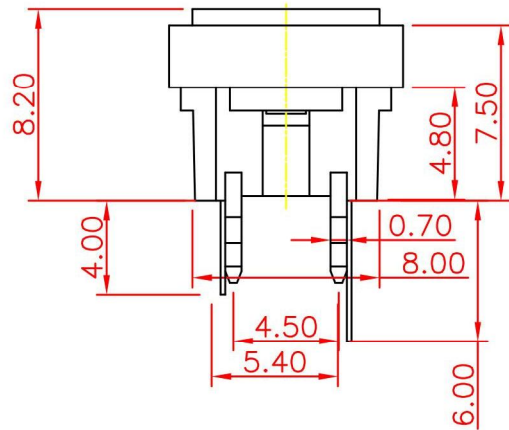


Circuit Diagram



Mounting Layout

SPECIFICATION

1. Rating : 50mA 12Vdc
2. Contact resistance : 100m Ohms
3. Operating life: 100,000 cycles
4. LED : Red
5. RoHS compliant

LTR	DESCRIPTION	DATE	CHANGE	APPL'
△				
△				
△				

TOLERANCES		DESCRIPTION :		
ANGULAR	LINEAR	ILLUMINATED TACT SWITCH		
0° ±2°	0 ±0.5	PART NO :		
0.00° ±1°	0.0 ±0.2	B1738Axx Series		
0.00° ±0.5°	0.00 ±0.05	DRAWN	CHECK	APPROVAL
0.000° ±0.25°	0.000 ±0.005	2012/7/27	Jerry	
DWG NO	TS-1-AX-BY	SHEET :	VER :A	UNIT :mm
INNER NO	04-P-02-03-B			

