

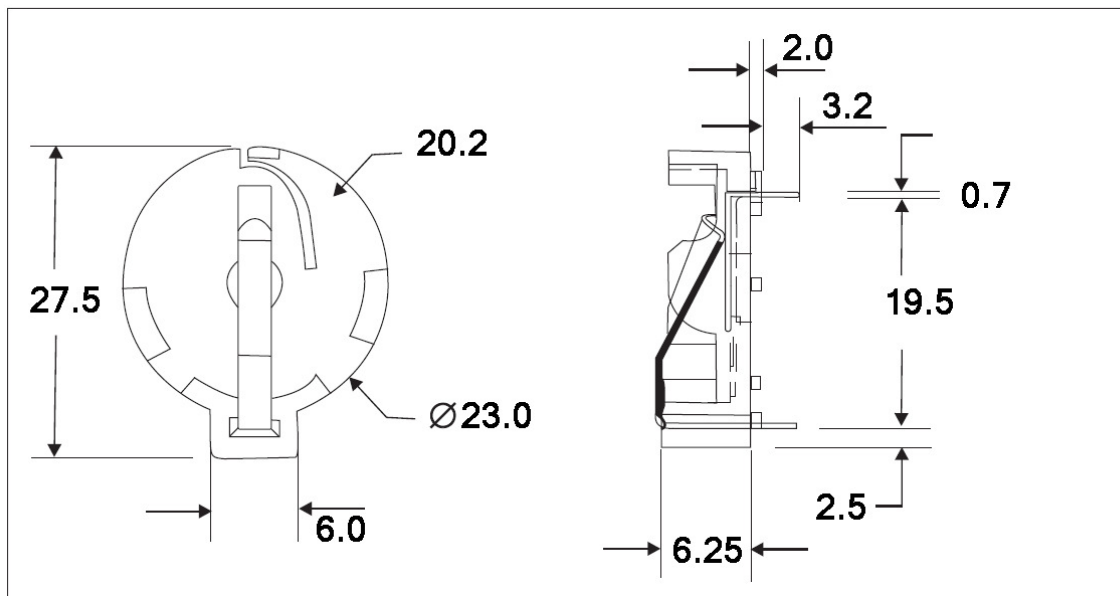


## Battery holder for coin-type Lithium Battery

### BH800 (For CR2032.CR2025.CR2016.LIR2025)

- \*The battery is solidly anchored in the holder
- \*Battery can be charged very easily and you are assured of reliable firm contact
- \*There is no battery damage from short circuiting or soldering.
- \*BH800 battery holder for CR2032.CR2025.CR2016.LIR2025.

CONTACT:	0.5mm PHOSPHOR BRONZE ALLOY W/TIN PLATED
CONTACT LOADING:	3 AMP
COLOR:	BLACK
OPERATION TEMP:	-55c+105C
DURABILITY:	50 CYCLES PLUG IN-OUT (SAME TYPE)



Specifications subject to change without notice