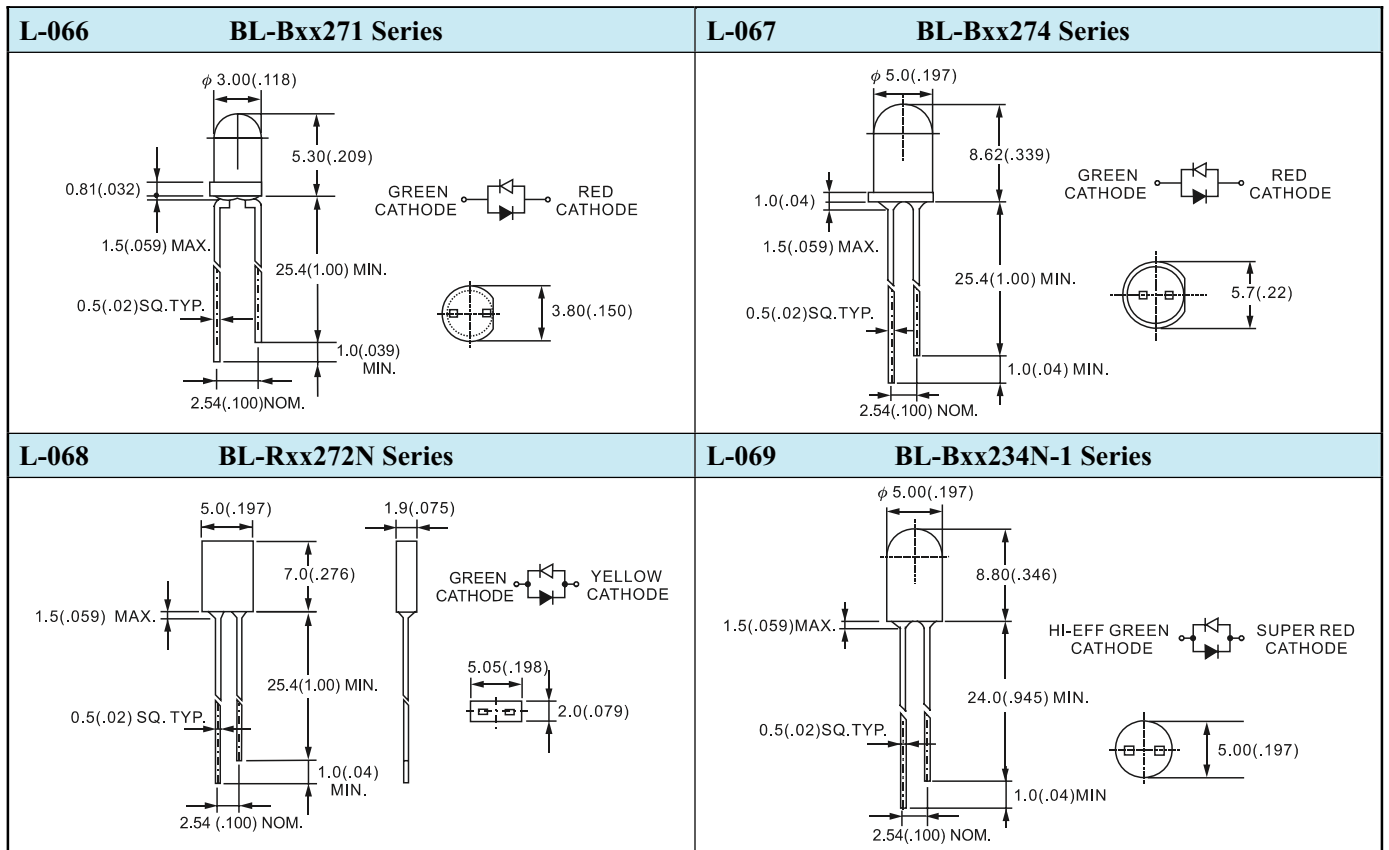


# DUAL-CHIP LED LAMPS (ROUND & RECTANGULAR TYPES)

Package	Part No.	Chip		Lens Appearance	Absolute Maximum Ratings				Electro-optical Data (At 20mA)			Viewing Angle 2θ 1/2 (deg)	Drawing No.
		Material/Emitted Color	Peak Wave Length λp (nm)		Δλ (nm)	Pd (mw)	If (mA)	Peak (mA)	Vf (V)		Iv (mcd)		
									Typ	Max	Typ.		
T-1 Standard 1.0" Lead 3 φ	BL-BHG271	GaP/GaP/Bright Red	700	White Diffused	90	40	15	50	2.2	2.6	6.0	45	L-066
		GaP/GaP/Yellow Green	568		30	80	30	150	2.2	2.6	30.0		
	BL-BEG271	GaAsP/GaP/Hi-Eff Red	635	White Diffused	45	80	30	150	2.0	2.6	30.0		
		GaP/GaP/Yellow Green	568		30	80	30	150	2.2	2.6	30.0		
	BL-BYG271	GaAsP/GaP/Yellow	585	White Diffused	35	80	30	150	2.1	2.6	15.0		
		GaP/GaP/Yellow Green	568		30	80	30	150	2.2	2.6	30.0		
T-13/4 Standard 1.0" Lead 5 φ	BL-BHG274	GaP/GaP/Bright Red	700	White Diffused	90	40	15	50	2.2	2.6	8.0	50	L-067
		GaP/GaP/Yellow Green	568		30	80	30	150	2.2	2.6	50.0		
	BL-BEG274	GaAsP/GaP/Hi-Eff Red	635	White Diffused	45	80	30	150	2.0	2.6	50.0		
		GaP/GaP/Yellow Green	568		30	80	30	150	2.2	2.6	50.0		
	BL-BYG274	GaAsP/GaP/Yellow	585	White Diffused	35	80	30	150	2.1	2.6	45.0		
		GaP/GaP/Yellow Green	568		30	80	30	150	2.2	2.6	50.0		
2.0×5.0 ×7.0mm 1.0" Lead Rectangular	BL-RHG272N	GaP/GaP/Yellow Green	568	White Diffused	30	80	30	150	2.2	2.6	0.8	125	L-068
		GaAsP/GaP/Yellow	585		35	80	30	150	2.1	2.6	4.0		
	BL-REG272N	GaAsP/GaP/Hi-Eff Red	635	White Diffused	45	80	30	150	2.0	2.6	4.0		
		GaP/GaP/Yellow Green	568		30	80	30	150	2.2	2.6	4.0		
	BL-RYG272N	GaAsP/GaP/Yellow	585	White Diffused	35	80	30	150	2.1	2.6	3.5		
		GaP/GaP/Yellow Green	568		30	80	30	150	2.2	2.6	4.0		
T-1 3/4-Flangeless 1.0" Lead 5 φ	BL-BGS234N-1	GaP/GaP/Yellow Green	568	White Diffused	30	80	30	150	2.2	2.6	80.0	55	L-069
		GaAlAs/Super Red	660		20	60	30	150	1.7	2.6	120		
	BL-BGS334N-1	GaP/GaP/Yellow Green	568	Water Clear	30	80	30	150	2.2	2.6	80.0	25	
		GaAlAs/Super Red	660		20	60	30	150	1.7	2.6	200		
	BL-BSS234N-1	GaAlAs/Super Red	660	White Diffused	30	80	30	150	2.2	2.6	50.0	55	
		GaAlAs/Super Red	660		20	60	30	150	1.7	2.6	50.0		

Remark: 1. Hi-Eff Red/High-Efficiency Red.  
 2. Trans/Transparent.  
 3. 2θ 1/2 The off-axis angle at which the luminous intensity is half the axial luminous intensity.



Notes: 1. All dimensions are in millimeters (inches).  
 2. Tolerance is ±0.25mm (.010")