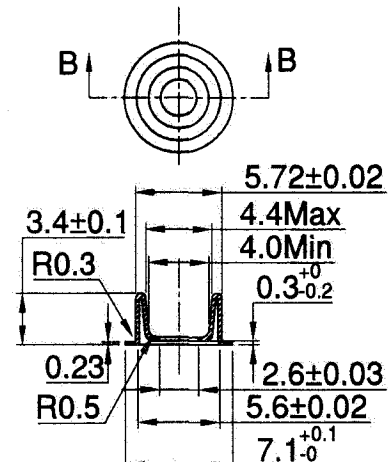


SECTION A-A  
FEMALE CONTACT



SECTION B-B  
MALE CONTACT

SPECIFICATION

- (1) PART NO: BS-IC-150MM
- (2) WIRE: UL1007 AWG#26  
BLACK & RED : 150±5MM  
STRIP & TIN : 5MM±1MM
- (3) WITH 6 PRONG SNAP TERMINAL
- (4) MATERIAL: PVC RESIN, BLACK COLOR
- (5) ROHS COMPLIANT



3			<p>THIRD ANGLE PROJECTION</p>	<b>COMFORTABLE ELECTRONIC CO.LTD.</b>			
2				NAME	BATTERY SNAPS: BS-IC-150MM		
1				SCALE	2:1	APPD	<i>黃俊廷 11/13</i>
NO.	MODIFICATION	DATE	UNIT	MM	CHKD	<i>黃俊廷 11/13</i>	
			MAT'L	AS SPEC.	DWN	CHENGZHENHUA	
			DATE	NOV. 13. 2009	DR NO	IC-1109	