


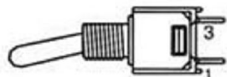
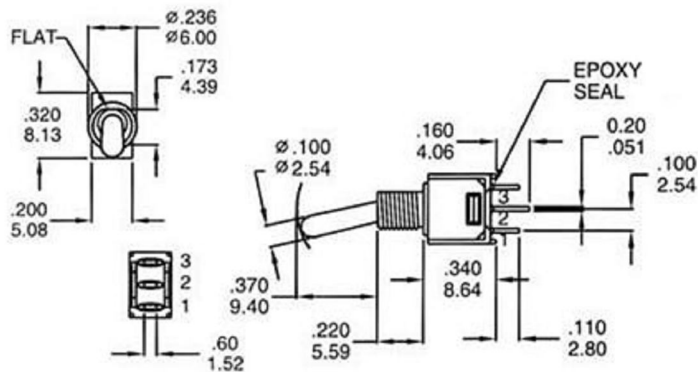




Model No.	Switching Position		
			
BTG-DS-41	ON	NONE	ON
BTG-DS-42	ON	OFF	ON
BTG-DS-43	ON	NONE	(ON)
Term. Comm.	2-3	OPEN	2-1

Schematic



RoHS Compliant