



P/N LEGEND

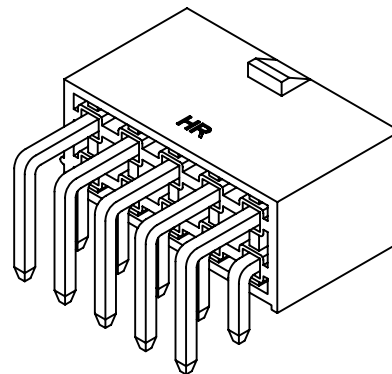
C4255	WR	-2XNP	N	X	X	T1	N	00	B
①	②	③	④	⑤	⑥	⑦	⑧	⑨	⑩

① Series No.  
 ② Connector type: WR=Right angel  
 ③ No. of circuits  
 ④ N=Halogen Free  
 ⑤ Material:Material: 0=Nylon 66-V0 ,2=Nylon 66-V2  
 ⑥ Color: B=Black; W=White; N=Natural(Translucent)  
 ⑦ Plating code for contacts: T1=Tin-plated  
 ⑧ Plating code: N=Non-plating  
 ⑨ Option code: 00=Standard  
 ⑩ Packing code: B=Tray

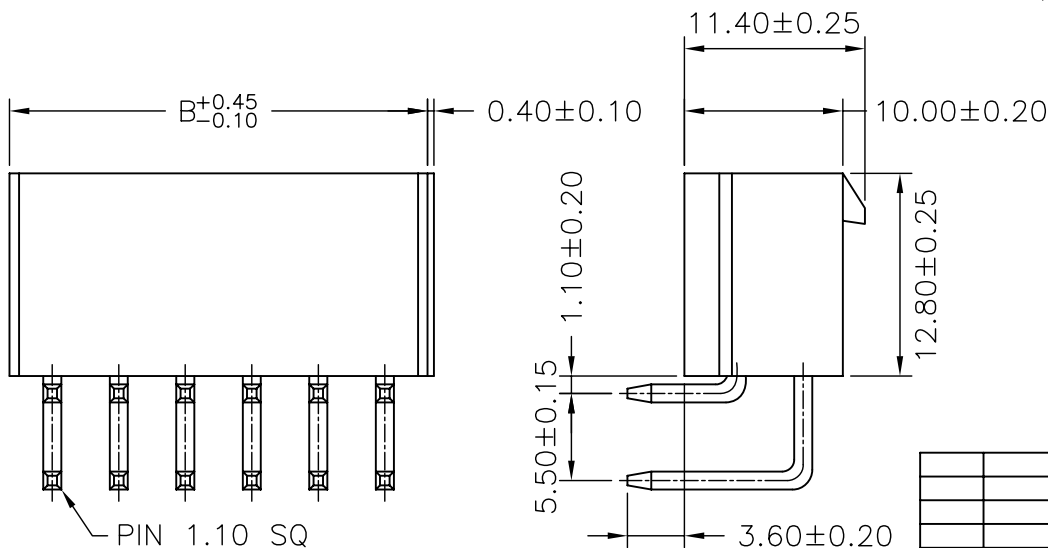
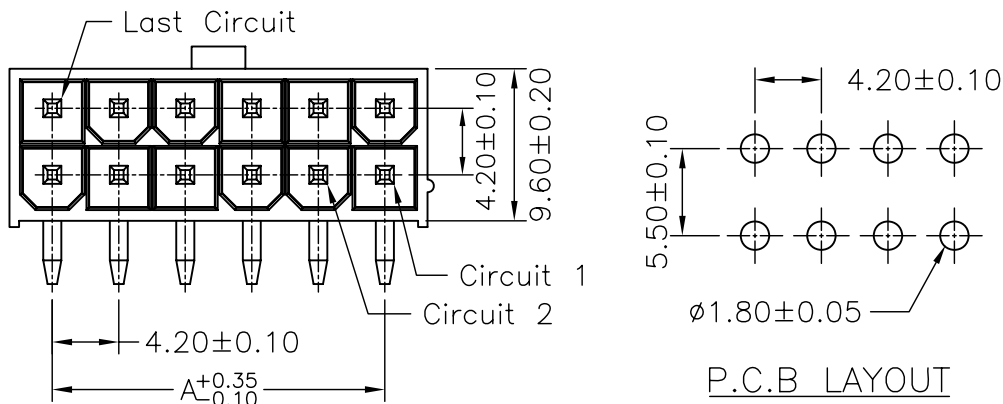
SPECIFICATIONS

Current Rating: 9A AC,DC  
 Voltage Rating: 600V AC,DC  
 Temperature Range: -25°C ~ +85°C  
 Contact Resistance: 10mΩ Max  
 Insulation Resistance: 1000MΩ Min  
 Withstanding Voltage: 1500V AC/minute  
 Pin Material: Brass

Circuit No.	Dimensions	
	A	B
2X01P	---	5.40
2X02P	4.20	9.60
2X03P	8.40	13.80
2X04P	12.60	18.00
2X05P	16.80	22.20
2X06P	21.00	26.40
2X07P	25.20	30.60
2X08P	29.40	34.80
2X09P	33.60	39.00
2X10P	37.80	43.20
2X11P	42.00	47.40
2X12P	46.20	51.60



P.C.B LAYOUT



燦達電子工業股份有限公司 JOINT TECH ELECTRONIC IND. CO., LTD.				UNIT	SCALE	SHEET	TITLE:
				mm	1 : 1	1 of 2	
DRAWN BY		APPROVED BY		4.20mm PITCH 90° WAFER, MINI-FIT			
郭木恩		陳彥兆					
2014.04.17		2014.04.17		DRAW NO. : C4255WR-2XNPXXXXXXXXX			
GENERAL TOLERANCE				ANGLE± 			
X. X±0.25		X. XX±0.15					
X. XXX±0.05				REV. A0			
AO	NEW RELEASE	2014.04.17	郭木恩				
REV.	DESCRIPTION	DATE	NAME				

