

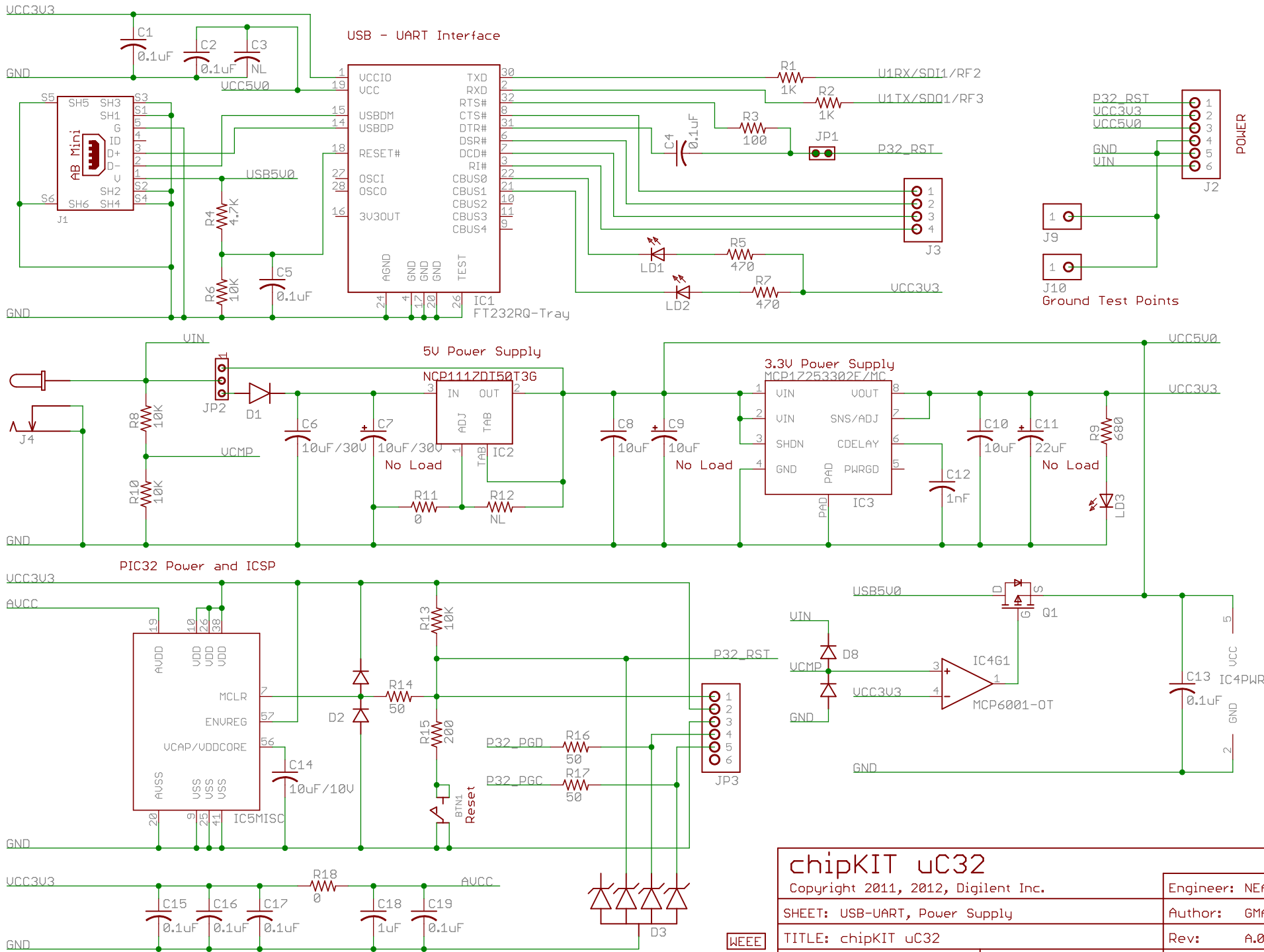
chipKIT™ uC32™ Reference Design

Digilent chipKIT hardware files are licensed under the Creative Commons Attribution-ShareAlike license. This license allows for both personal and commercial derivative works, as long as proper credit is given to Digilent and the designs are released under the same license.

www.creativecommons.org/licenses/by-sa/3.0/

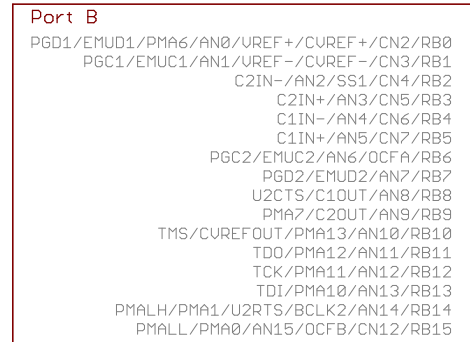
Reference designs are provided "AS IS" and "WITH ALL FAULTS". Digilent disclaims all other warranties express or implied, regarding this product, including but not limited to, any implied warranties of merchantability or fitness for any particular application. Digilent may make changes to specifications and product descriptions at any time, without notice.

chipKIT uC32		Engineer: NEA
Copyright 2011, 2012, Digilent Inc.		Author: GMA
SHEET: License Agreement		Rev: A.0
TITLE: chipKIT uC32		Doc#: 500-254
Date: 4/20/2012	Sheet: 1/4	

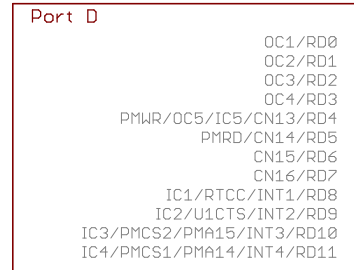


chipKIT uC32		Engineer: NEA
Copyright 2011, 2012, Digilent Inc.		Author: GMA
SHEET: USB-UART, Power Supply		Rev: A.0
TITLE: chipKIT uC32		Date: 4/20/2012
Doc#: 500-254	Date: 4/20/2012	Sheet: 2/4

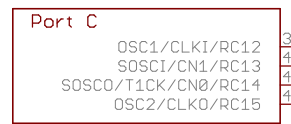
UCC3U3



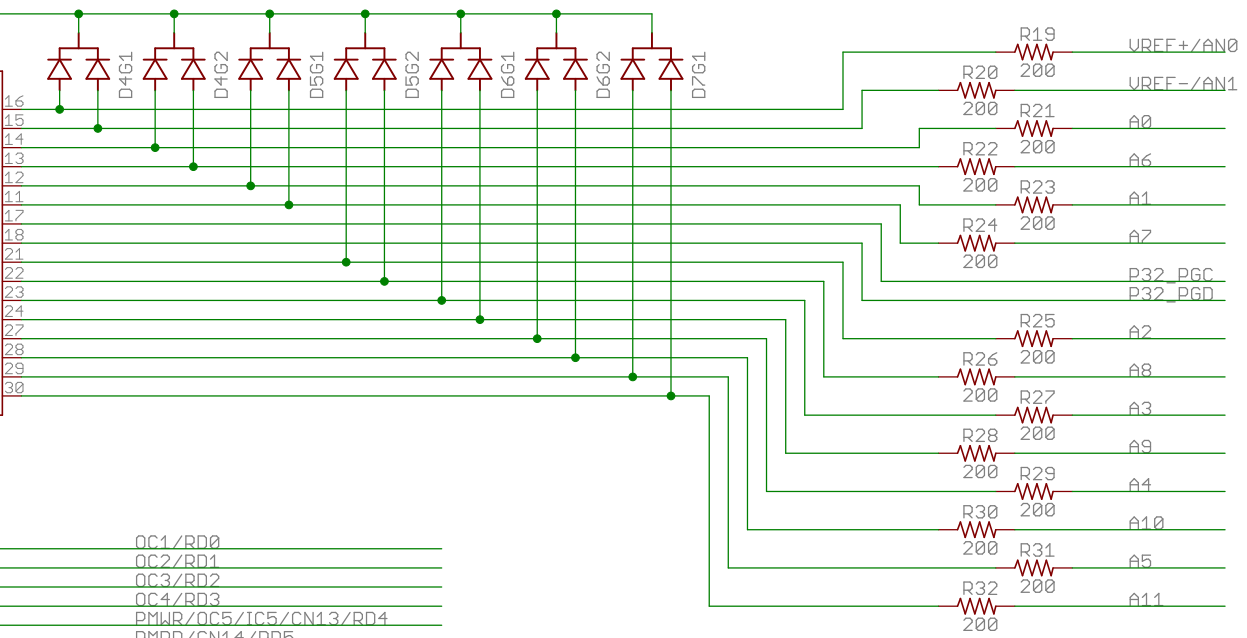
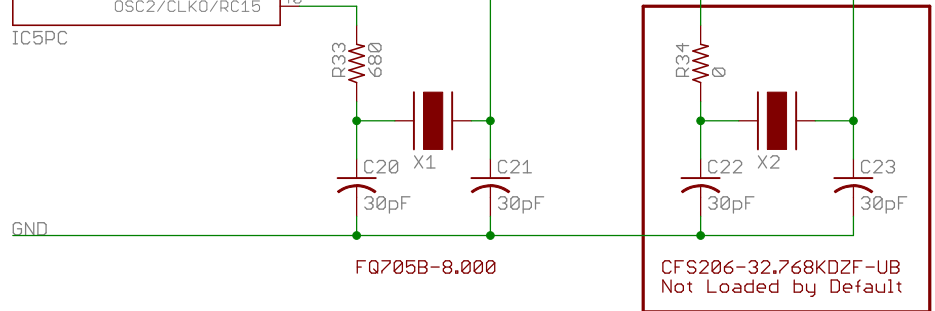
IC5PB



IC5PD

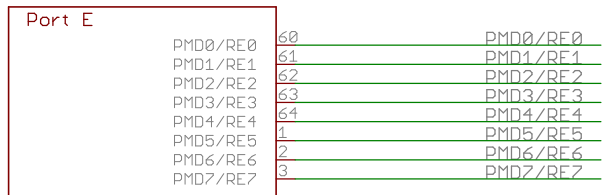


IC5PC

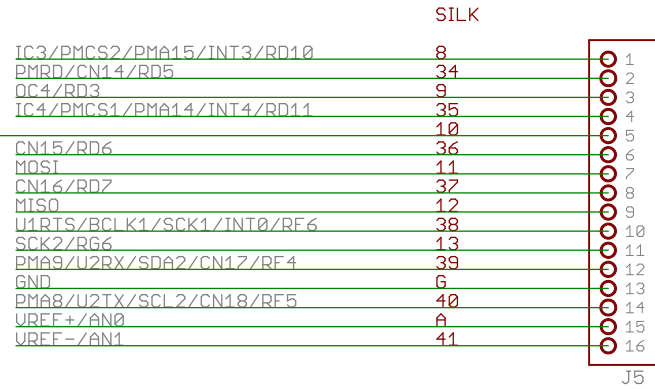
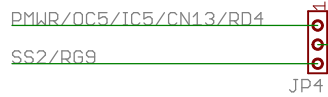


NOTE: IC2 - PIC32MX320F064H, PIC32MX320F128H

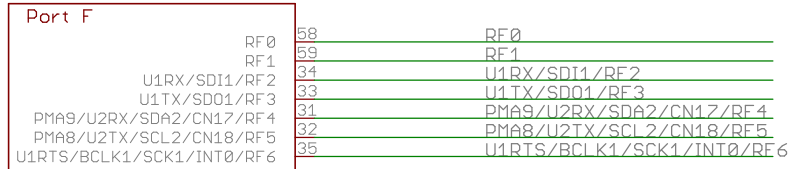
chipKIT uC32		Engineer: NEA
Copyright 2011, 2012, Digilent Inc.		Author: GMA
SHEET: PIC32 I/O		Rev: A.0
TITLE: chipKIT uC32		Doc#: 500-254
Date: 4/20/2012	Sheet: 3/4	



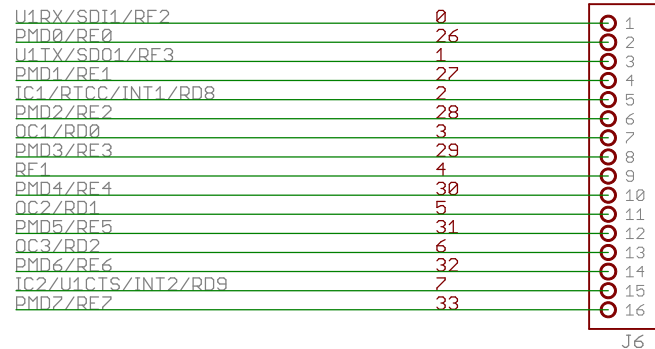
IC5PE



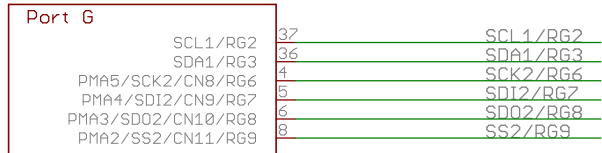
IOH



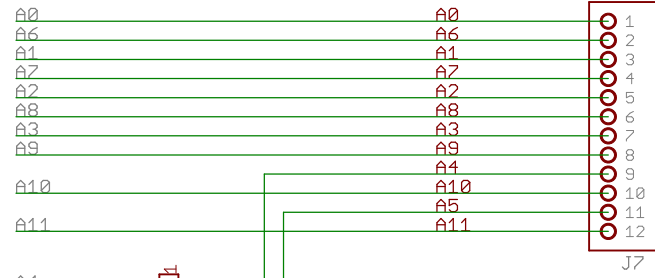
IC5PF



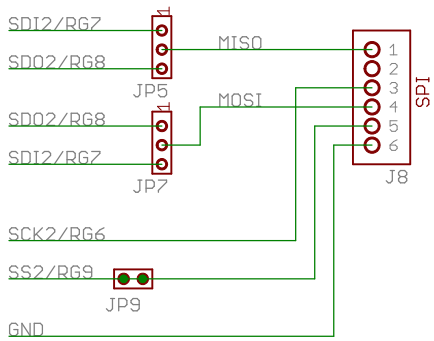
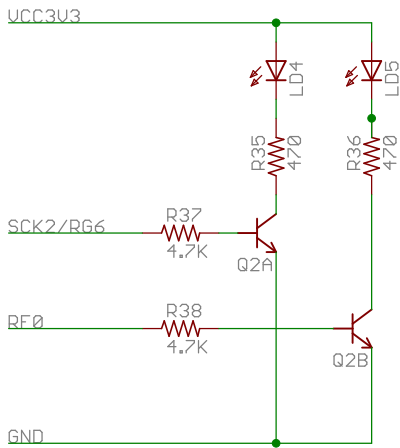
IOI



IC5PG



Analogue



chipKIT uC32		Engineer: NEA
Copyright 2011, 2012, Digilent Inc.		Author: GMA
SHEET: PIC32 I/O, I/O Connectors		Rev: A.0
TITLE: chipKIT uC32		Date: 4/20/2012
Doc#: 500-254	Date: 4/20/2012	Sheet: 4/4