

Specification Guide Codes:

A= Item Number

B= Metal Material

C= Material Thickness (mm)

D= Suitable Rated Current

* Beryllium Copper Recommended For Current Higher Than 15A To Order Add " Q " e.g. **CQ-205S Q**

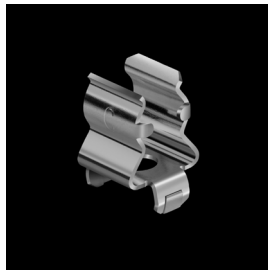
Option Finish Selecting:

N= Nickel Plating

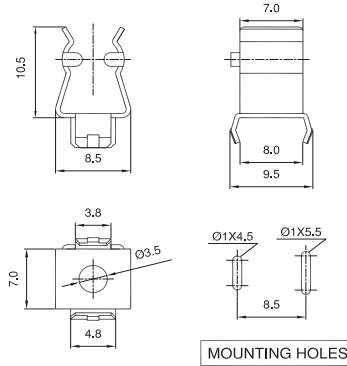
S= Silver Plating

(To Order Add **N** or **S** e.g. **CQ-205B N**)

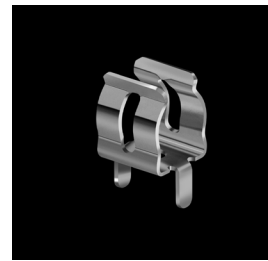
P.C. BOARD MOUNT FUSE CLIPS FOR 1/4" (6.3mm) DIAMETER FUSE



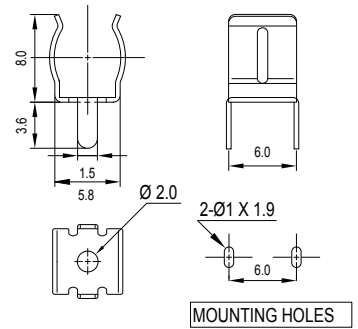
CQ-205B



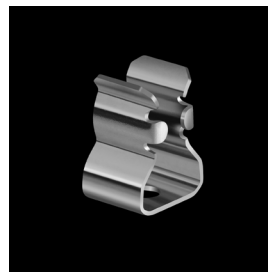
B: Spring Brass
C: 0.5t
D: 15A
Bright Tin Plated
Ear Type



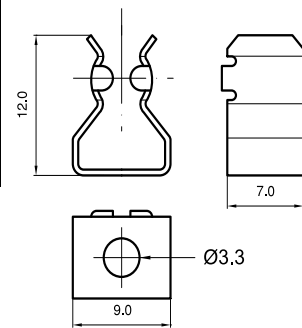
CQ-205D



B: Spring Brass
C: 0.4t
D: 15A
Bright Tin Plated
Earless Type



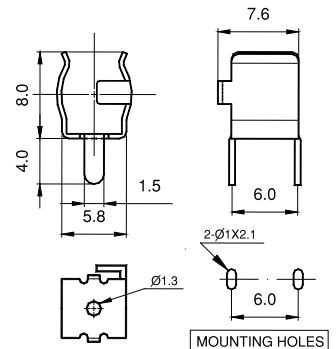
CQ-205E



B: Phosphor Bronze
C: 0.5t
D: 15A
Bright Tin Plated
Ear Type



CQ-205DH

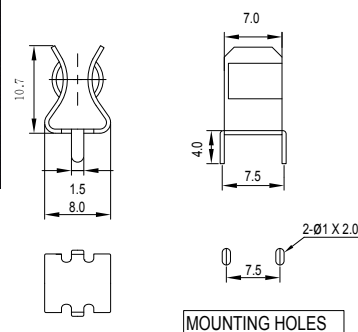


B: Phosphor Bronze
C: 0.4t
D: 15A
Bright Tin Plated
Ear Type

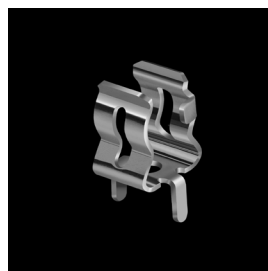


CQ-205S

HOT

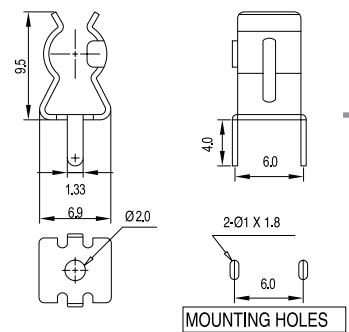


B: Spring Brass
C: 0.5t
D: 25A
Bright Tin Plated
Ear Type



CQ-205SPP

HOT



B: Phosphor Bronze
C: 0.5t
D: 15A
Bright Tin Plated
Ear Type