

Specification Guide Codes:

A= Item Number

B= Metal Material

C= Material Thickness (mm)

D= Suitable Rated Current

Beryllium Copper Recommended For Current Higher Than 30A To Order Add " Q " e.g. CQ-111 Q

Option Finish Selecting:

N= Nickel Plating

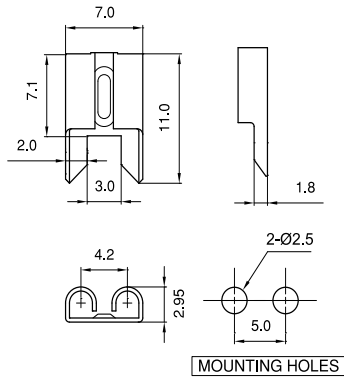
S= Silver Plating

(To Order Add **N** or **S** e.g. **CQ-205B N**)

P.C. BOARD MOUNT SPECIAL FUSE CLIP



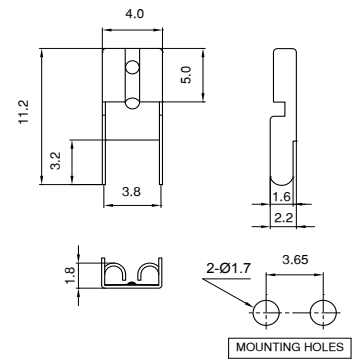
CQ-111
For Blade Auto Fuse ATQ Type



B: Spring Brass
C: 0.35t
D: 15A
Bright Tin Plated



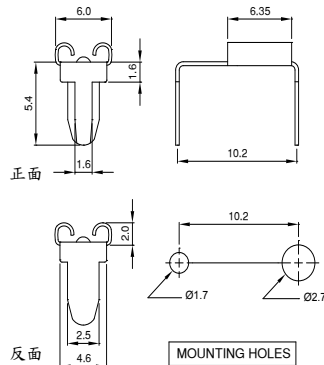
CQ-112
For AST Mini Blade Type Fuse



B: Spring Brass
C: 0.3t
D: 20A
Bright Tin Plated
Ear Type



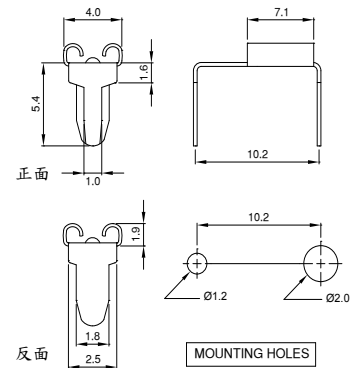
CQ-114
For ATQ Blade Horizontal Clip



B: Spring Brass
C: 0.3t
D: 15A
Bright Tin Plated



CQ-115
For AST Mini Blade Horizontal Clip



B: Spring Brass
C: 0.3t
D: 15A
Bright Tin Plated