

REVISION RECORD

REV	ECN	DESCRIPTION	DRFT	DATE
-----	-----	-------------	------	------

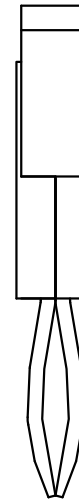
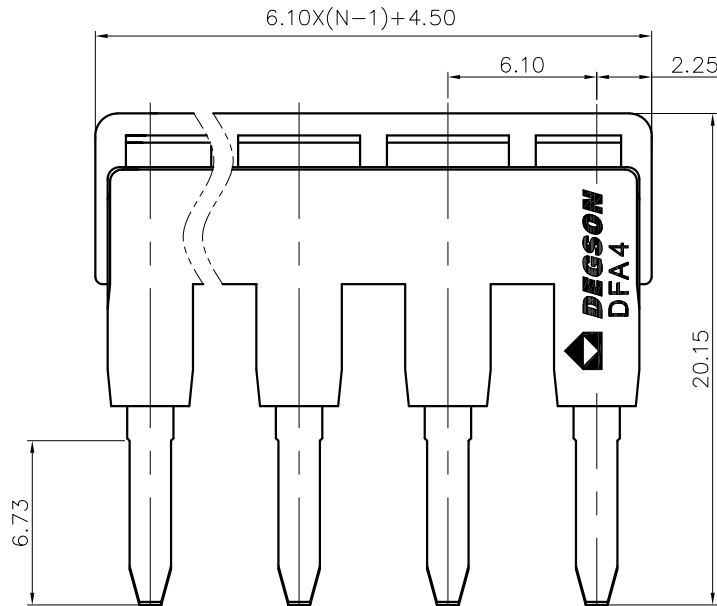


NOTES1:

- 1.Dimension shall be interpreted per ASME Y14.5-2009
- 2.Pitch : 6.1mm, Poles : N=02~10P
- 3.Operating temperature: -40°C~+105°C
- 4.Undimensioned tolerances:

Pitch range in mm		Nominal dimension range in mm				-	∩	□
TO	Over	Over	Over	Over	Over	0.1/10		
6	6 TO 10	10 TO 24	30 TO 60	60 TO 100	100 TO 150	∠		
±0.15	±0.20	±0.30	±0.30	±0.50	±0.70	±1.00	±1.30	±2'

5.RoHS Compliance



DFA4 - XXP - 1Y - 00A (H)
 (Series No.)(Poles)(Single Pitch) (Color): 1.(Grey) 2.(Blue) 3.(Black) 4.(Green) 5.(Orange) 6.(Red) 7.(Transparent) 8.(Yellow) 9.(White)
 (RoHS)
 00A-(Standard)

DETACHED LISTS	PART NO.:	/			
	APPD:	/			
	CHKD:	/			
	DRFT:	/			
	<p>THIRD ANGLE PROJECTION</p>		<p>DRAWING NO.:</p>		<p>REV</p>
		<p>MM (INCH)</p>		<p>DO NOT SCALE DRAWING</p>	<p>SCALE</p>
				<p>NINGBO DEGSON ELECTRICAL CO., LTD</p>	<p>1/1</p>
		<p>DFA4-XXP-1Y-00A(H)</p>		<p>CUSTOMER DRAWING</p>	<p>1/1</p>
				<p>1</p>	<p>1:1</p>