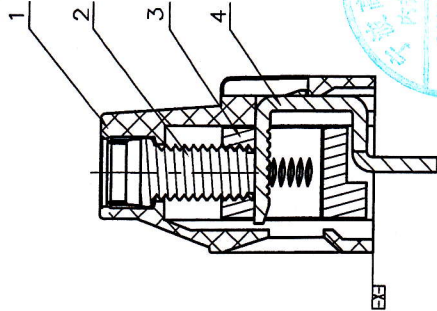
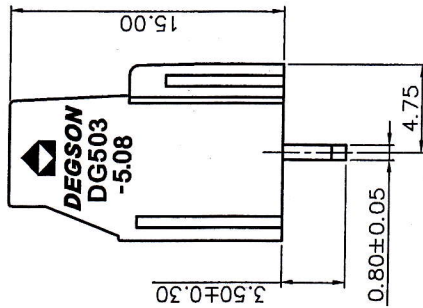
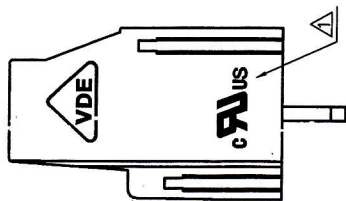
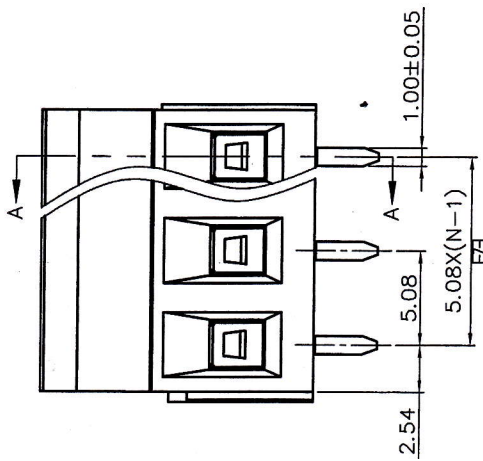
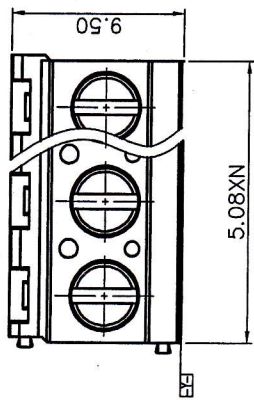


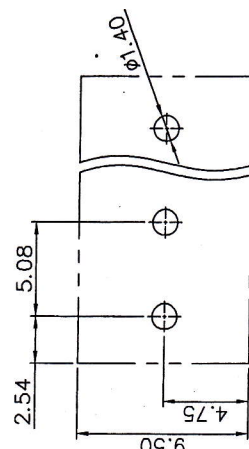
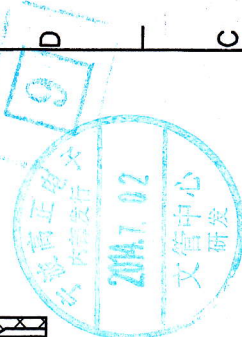
REVISION RECORD				
REV	ECN	DESCRIPTION	DRFT	DATE
△	14-0168	增加山刻字	YJZ	06/10/14*

NOTES:

1. DIMENSION SHALL BE INTERPRETED PER ASME Y14.5-2009.
2. PITCH: 5.08MM ,POLES: 2-12P
3. RATED VOLTAGE/CURRENT: UL 300V/20A
VDE 450V/20A
4. OPERATION TEMPERATURES: -40°C~+105°C
5. WITHSTANDING VOLTAGE: AC2500V/1MIN.
6. INSULATION RESISTANCE: 5000Ω/DC1000V
7. WIRE RANGE: 28~12AWG, 0.2~2.5MM²
8. MAX. TORQUE VALUE: M3.5, 1kgf.cm
9. UNDIMENSIONED TOLERANCES:



SEC. A-A



P.C.B. LAYOUT

ITEM	NAME OF PART	NO. OF PART	Q'TY	MATERIAL	NOTES
4	DG503-Pin	4182B00010(H)	XX	Copper	Sn plated
3	DG503 Cage	X000005190(H)	XX	Brass	Ni plated
2	DG503 "S" Screws	S000007170(H)	XX	Steel	C ³ Zn
1	DG503-5.08-Housing	4182A0YXXA(H)	1	PA66	UL94V-0

DETAILED LISTS		DETAILED LISTS	
MATERIAL	FINISH	APPD:	CHKD:
		Team 07/02/14	Amal 6/24/14
PART NO.:		DRFT: COCO 01/10/14"	
TOLERANCES EXCEPT AS NOTED		TITLE: ASSEMBLY DRAWING	
.X ±	.XX ±	DRAWING NO: DG503-5.08-E01	
.XX ±	.XXX ±	DO NOT SCALE DRAWING	
ANGLES ± 1°		SCALE 1:1	
THIRD ANGLE PROJECTION		SHEET 1/1	

DEGSON 宁波高正电子有限公司
 NAME: DG503-5.08-XXP-1Y-00A(H)