



SEARCH

**NEW SWITCHES**

Main > Products > Tact Switches > SMD Type Switches > 1197A

TACT SWITCHES

**SMD TYPE SWITCHES** | TACT SWITCHES

NEW ITEM

BULK TYPE SWITCHES

RADIAL TYPE SWITCHES

▶ SMD TYPE SWITCHES

PUSH SWITCHES

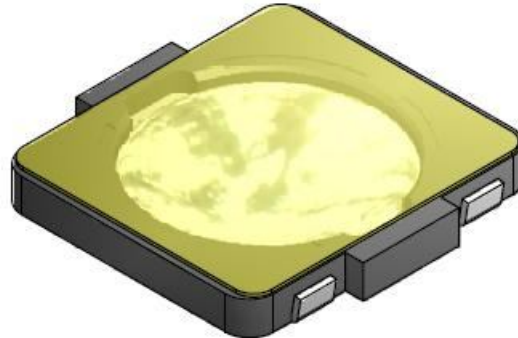
SLIDE SWITCHES

HOOK SWITCHES

DETECTOR SWITCHES

ETC SWITCHES

IT PART



[← BACK](#)

**[1197A]**

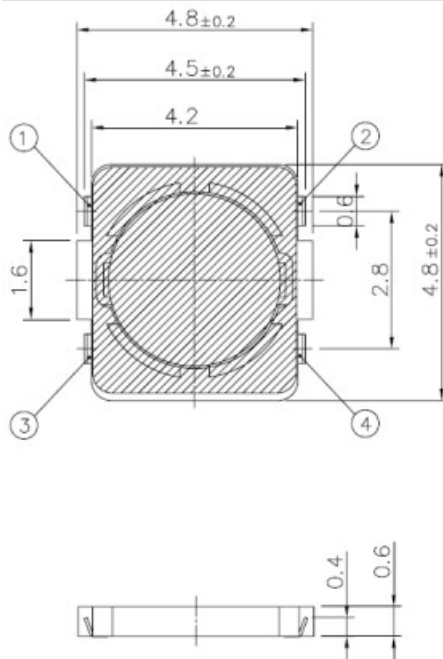
**Typical Specifications**

1. Rating : DC12V 20mA
  2. Travel : 0.2±0.1mm
  3. Contact Resistance : 100mΩMax.
  4. Bounce : 10m SEC MAX.
  5. Operating Force
- \* DJT1197A-2 : 160±50gf [100,000Cycle]  
 \* DJT1197A-3 : 250±50gf [100,000Cycle]

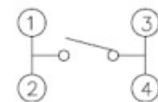
**OUTLINE DRAWING**

[확대도면보기](#)

[REEL도면보기](#)



**CIRCUIT DIAGRAM**



**P.C.B LAND PATTERN**

