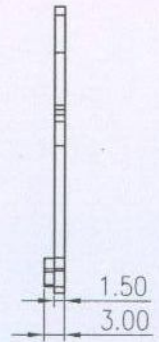
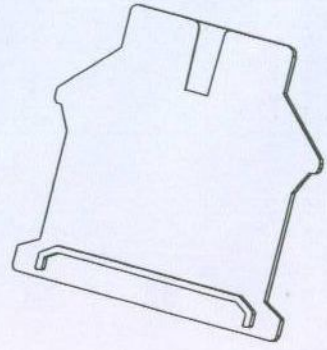
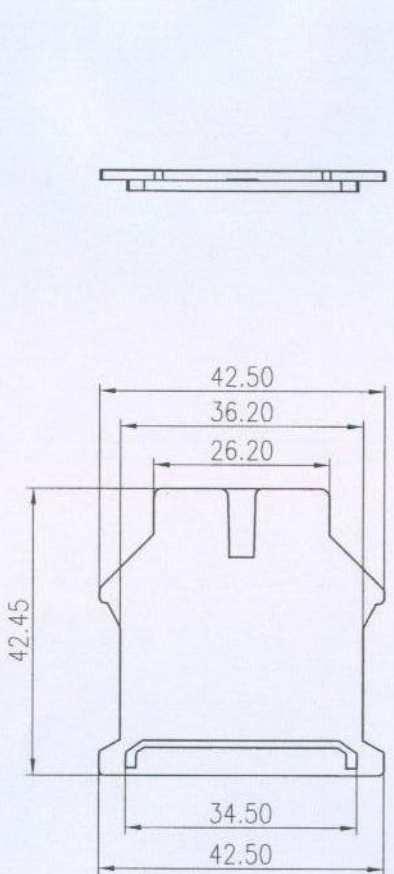
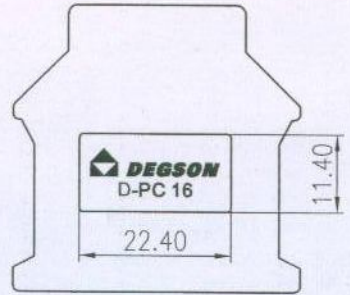


REVISION RECORD				
REV	ECC	DESCRIPTION	DRFT	DATE



SECTION A-A



技术要求:

- 1、最大允许毛边量0.05mm
- 2、未标注尺寸公差

Pitch range in mm		Nominal dimension range in mm				—
to	over	over	to	over	over	over
8	8 to 16	16 to 24	6 to 6	6 to 30	30 to 90	200 to 480
±0.08	±0.13	±0.18	±0.1	±0.2	±0.3	±0.5
						±0.7
						0.05/10



1	PC16-Housing	6009C0Y01A	PA66	UL94V-0	
ITEM	NAME OF PART	NO. OF PART	Q'TY	MATERIAL	NOTES
DETACHED LISTS	MM (INCH)	DFTD LIN	DATE 05/29/06	DEGSON 宁波高正电子有限公司	
	TOLERANCES EXCEPT AS NOTED	CHKD <i>Hong</i>	DATE 11/15/06	DEGSON ⑧ DEGSON ELECTRONICS CO., LTD	
	MM	MFO	DATE	NAME D-PC16-01P-1Y-00A	
	.0 ±	APPVL <i>hjs</i>	DATE 11/5	DRAWING NO. D-PC16-E01	
.00 ±	MATERIAL :	G.E :	/PART NO.		
.000 ±	ANGLES ± 1'	FINISH :	SIZE A3		
	THIRD ANGLE PROJECTION	SCALE : 1:1.	DO NOT SCALE DRAWING		
			SHEET 1 OF 1		