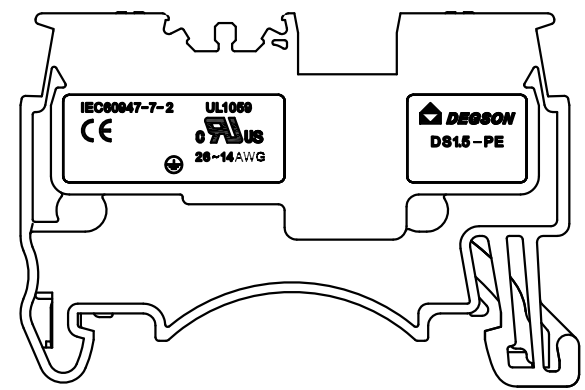
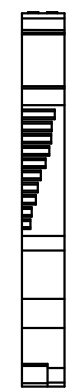
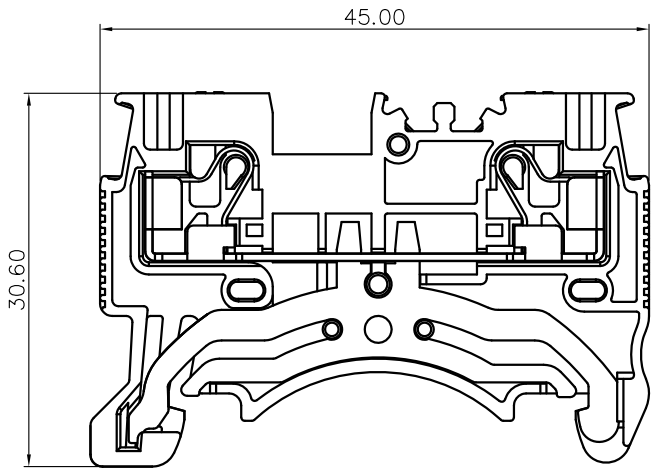
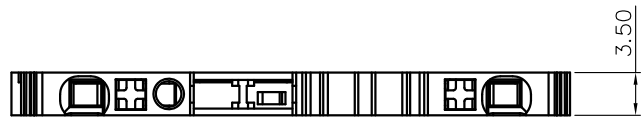


REVISION RECORD				
REV	ECN	DESCRIPTION	DRFT	DATE



DS1.5-PE - 01P - 1C - 00A (H)
 (Series No.)(Poles)(Single Pitch) (Color):1.(Grey)
 2.(Blue)
 3.(Black)
 4.(Green)
 5.(Orange)
 6.(Red)
 7.(Transparent)
 8.(Yellow)
 9.(White)
 (RoHS)
 00A-(Standard)

NOTES1:

- UL Standard
- 1.Wire range : 26~16AWG&14AWG (Sol)

IEC Standard

1. Pollution degree	3
Overvoltage category	III
Rate impulse voltage(KV)	6.0KV
Rate voltage(V)	/
Rate current(A)	/

- 2.Wire range : 0.2~1.5mm²

NOTES2:

- 1.Dimension shall be interpreted per ASME Y14.5-2009
- 2.Pitch : 3.5mm, Poles : 01P
- 3.Stripping length : 8~10mm
- 4.Operating temperature:-40°C~+105°C
- 6.Undimensioned tolerances:

Pitch Range in mm		Nominal Dimension Range in mm			Tolerances	
To	Over	To	Over	To	Over	
6	10	30	60	100	150	0.1/10
±0.15	±0.20	±0.30	±0.50	±0.70	±1.00	±2'

- 7.RoHS Compliance

DETACHED LISTS	PART NO.:	宁波高松电子有限公司 NINGBO DEGSON ELECTRICAL CO., LTD			
	APPD:	NAME: DS1.5-PE-01P-1C-00A(H)			
	CHKD:	TITLE: CUSTOMER DRAWING			
	DRFT:	DRAWING NO.:		REV	DO
	THIRD ANGLE PROJECTION		MM (INCH)	DO NOT SCALE DRAWING	SCALE 1:1