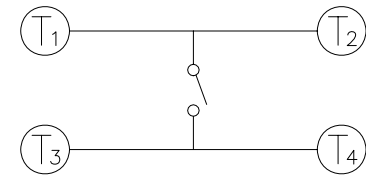
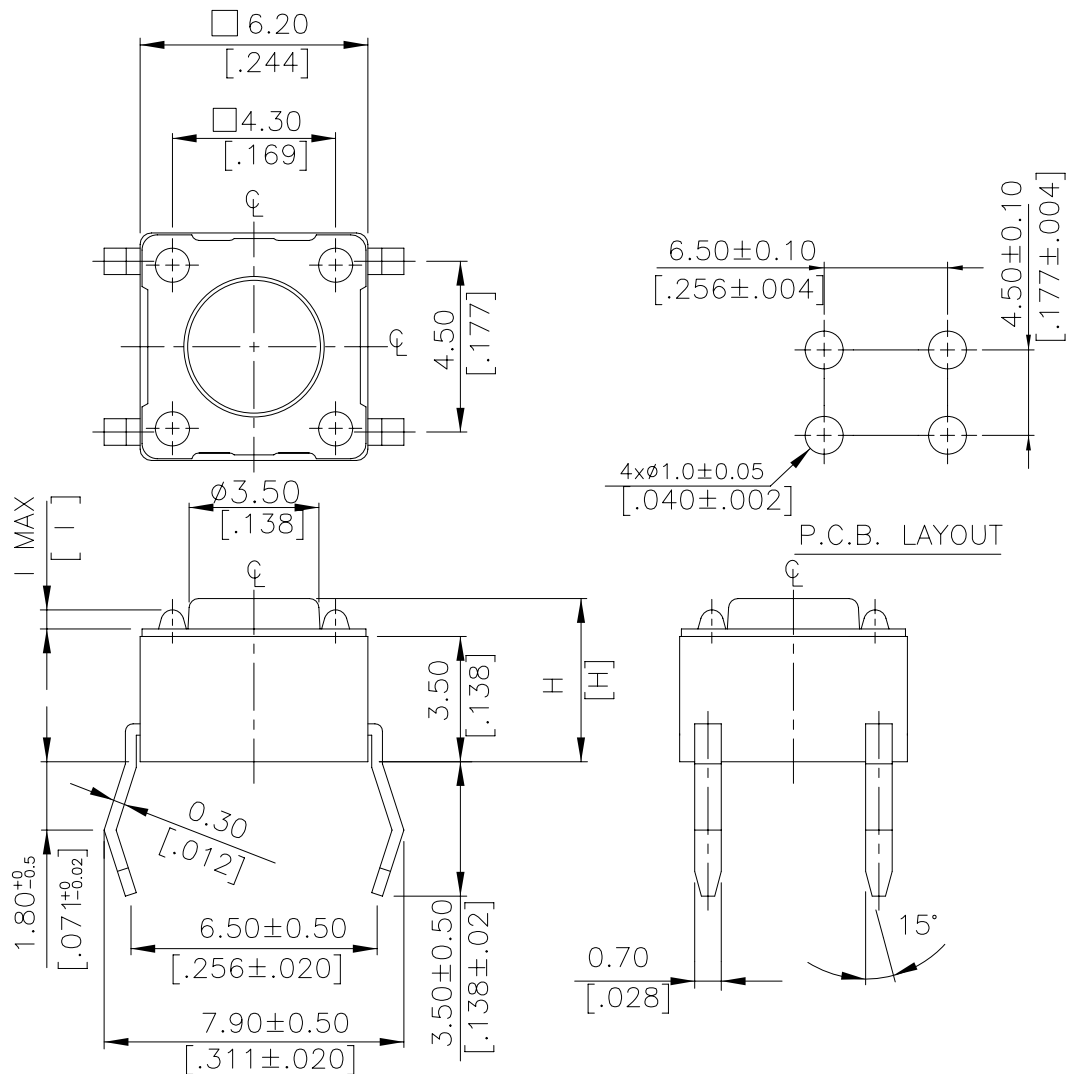


DTS-6(2) SERIES



DIMENSIONS

DTS-61~66 □



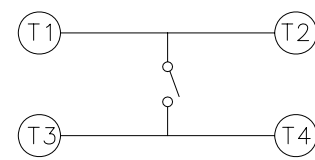
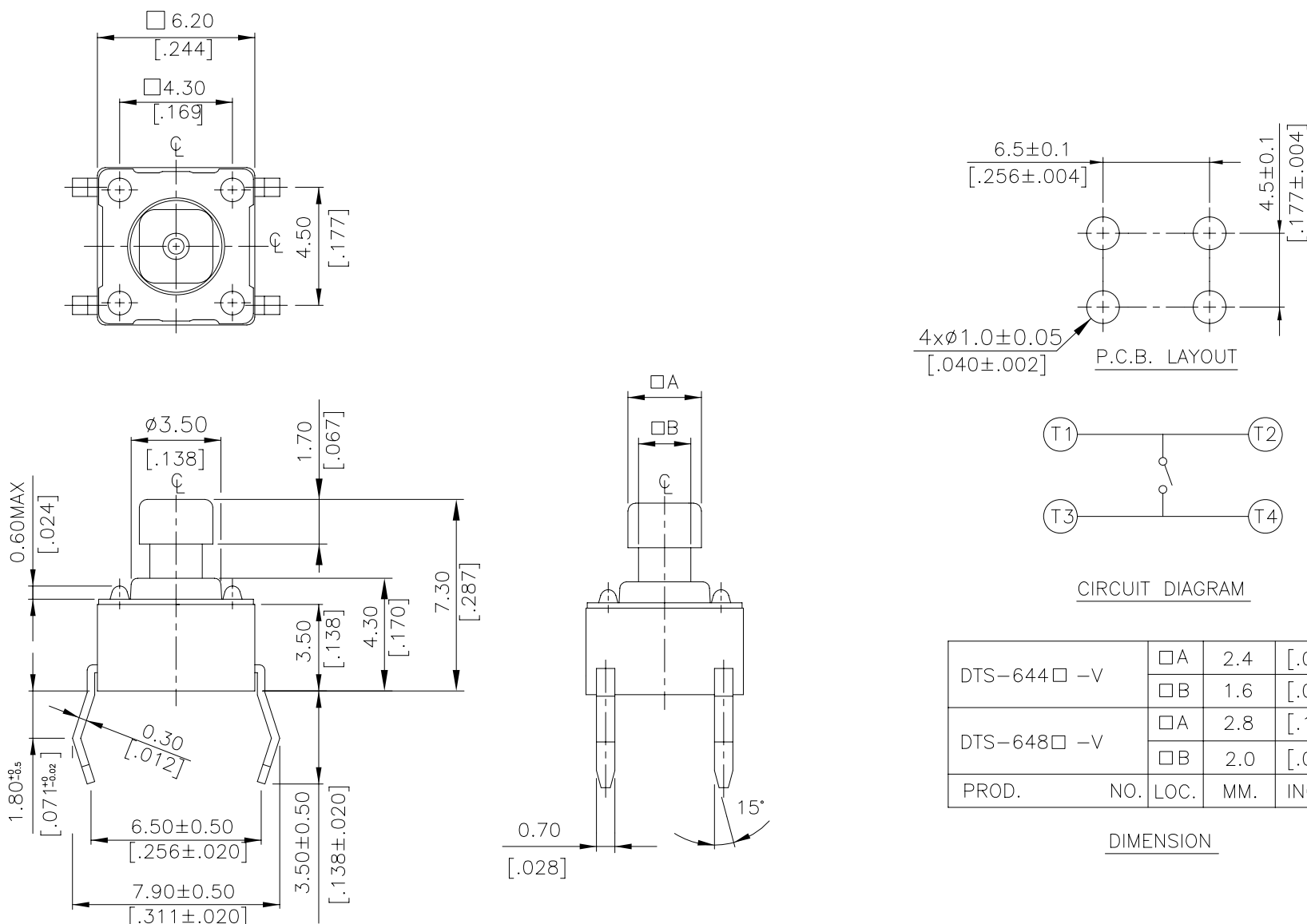
CIRCUIT DIAGRAM

DTS-62~66 □ -V	0.6 MAX	.0236 MAX
DTS-61 □ -V	0.5 MAX	.0197 MAX
PROD. NO.	I	INCHES.

DTS-66 □ -V	13.0 [.512]
DTS-65 □ -V	9.5 [.374]
DTS-63 □ -V	7.0 [.275]
DTS-62 □ -V	5.0 [.197]
DTS-61 □ -V	4.3 [.169]
PROD. NO.	H

General Tolerance : ±0.2mm

DTS-644、648 □



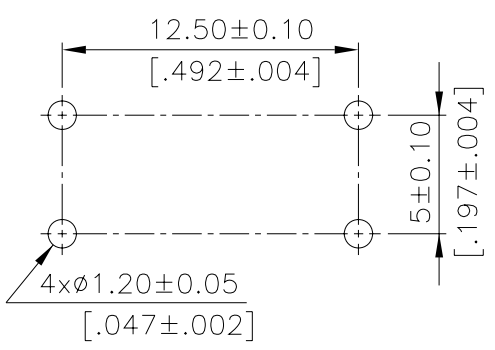
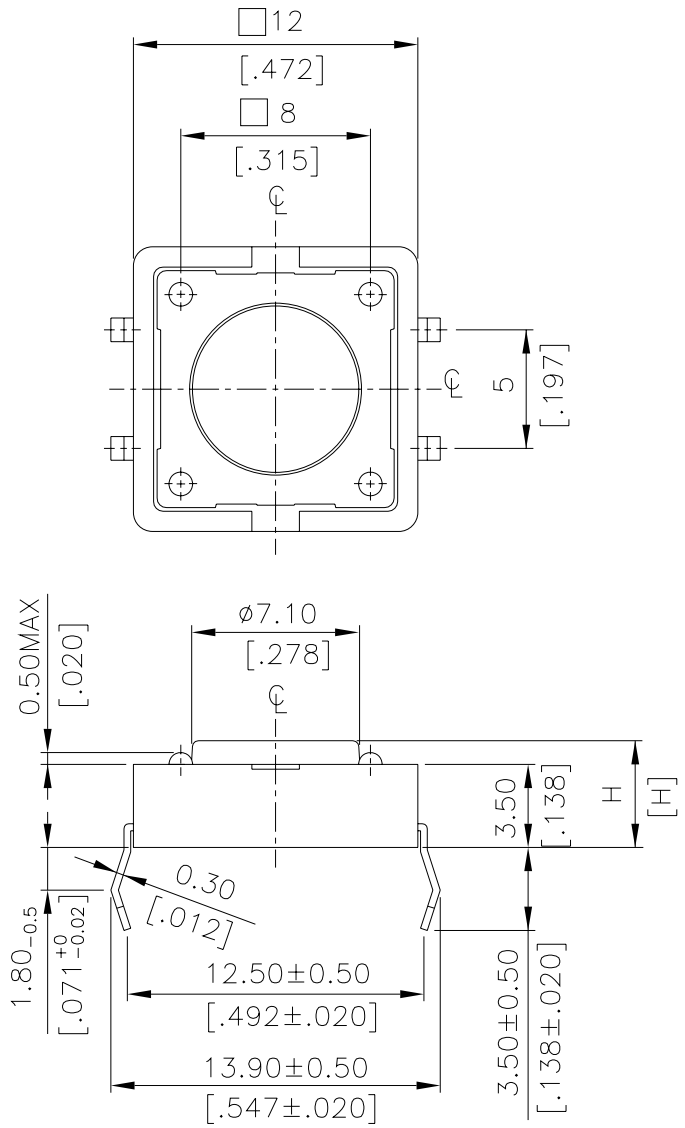
CIRCUIT DIAGRAM

DTS-644 □ -V	□ A	2.4	[.095]
	□ B	1.6	[.063]
DTS-648 □ -V	□ A	2.8	[.110]
	□ B	2.0	[.079]
PROD. NO.	LOC.	MM.	INCH.

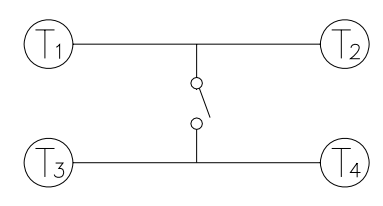
DIMENSION

General Tolerance : ±0.2mm

DTS-21、25□

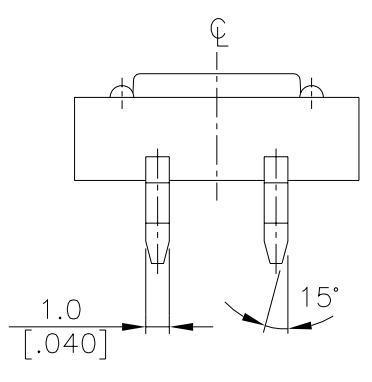


P.C.B. LAYOUT



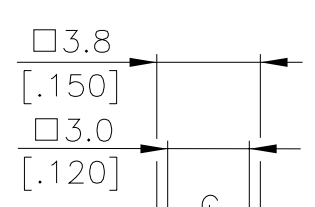
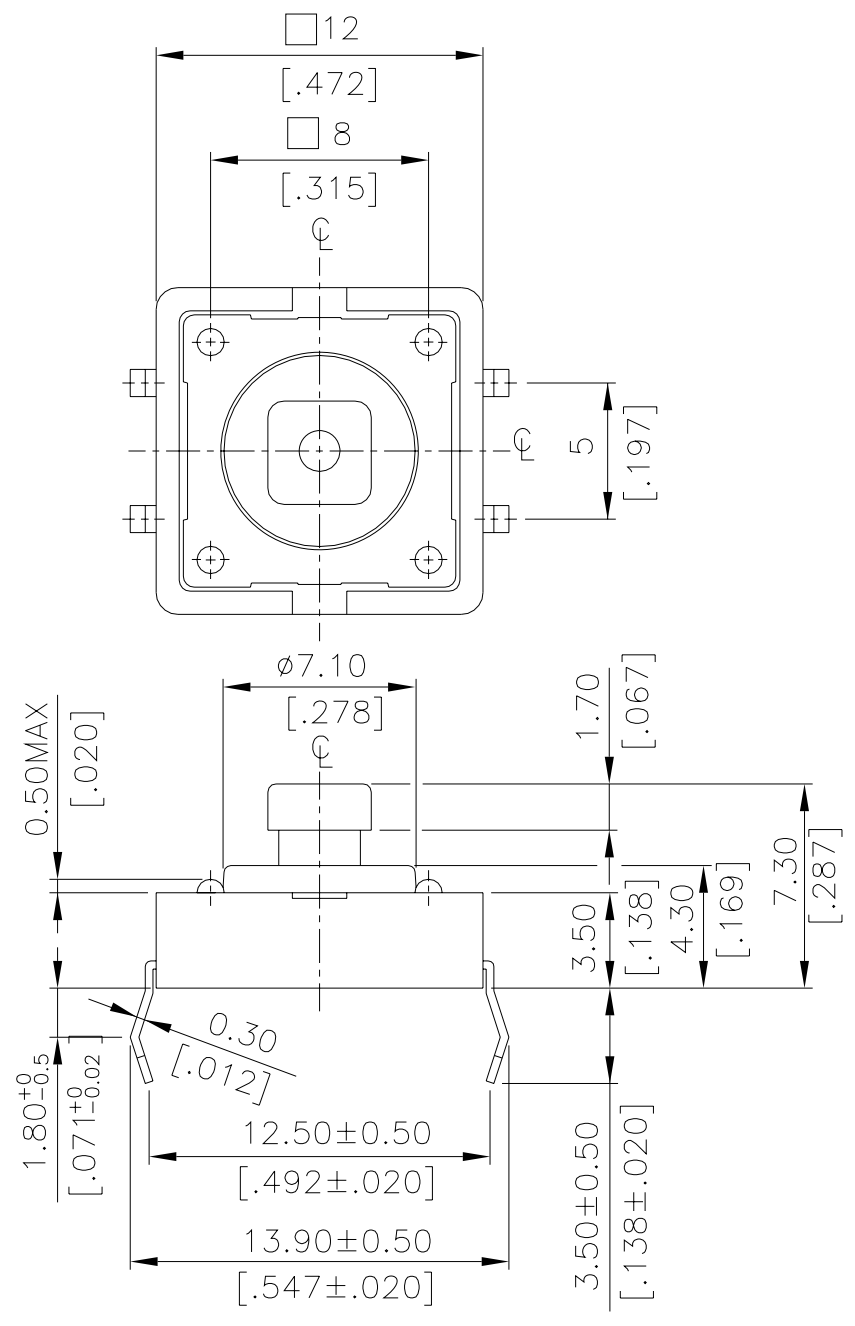
CIRCUIT DIAGRAM

DTS-25□-V	8.5 [.335]
DTS-21□-V	4.3 [.169]
PROD. NO.	H

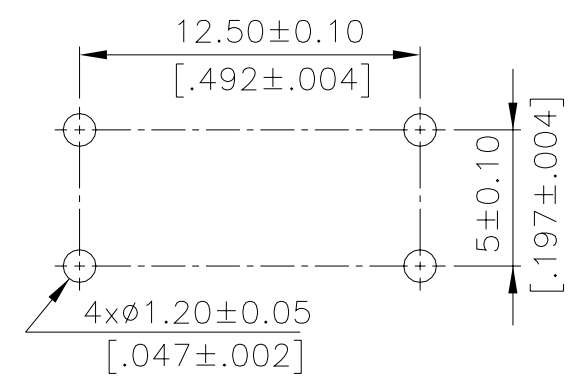


General Tolerance : $\pm 0.2\text{mm}$

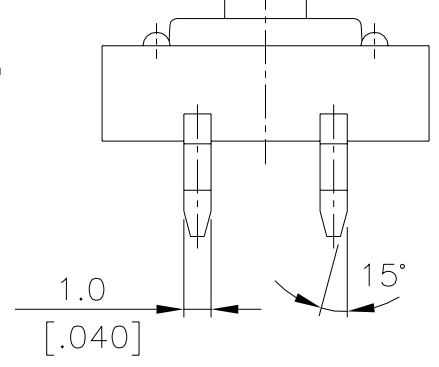
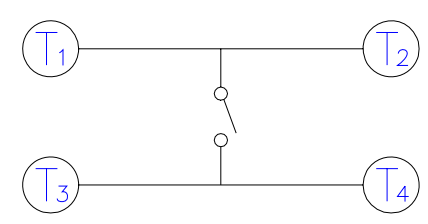
DTS-24□



P.C.B. LAYOUT



CIRCUIT DIAGRAM



General Tolerance : $\pm 0.2\text{mm}$

HOW TO ORDER

D T S □ - □ □ □ - □ - □ - □

Package style:
 □ = Bulk pack
 ▲ B = Tube
 (▲ Except DTS-63、644、648、65、66)

Soldering:
 V = Lead Free Solderable

□ = Dome Phosphor bronze
 (*S = Dome Stainless steel)
 (*12x12 K、S、Y Unavailable)

Color of stem for operating force:
 ▲ K = Black , 100gf
 N = Brown , 160gf
 R = Red , 260gf
 S = Salmon , 320gf
 ▲ Y = Yellow , 520gf
 (▲ 12x12 K、Y Unavailable)

Dimension H :

◎ 6 X 6 mm
 1 = 4.3 mm
 2 = 5.0 mm
 3 = 7.0 mm
 44 = 7.3 mm(SQ.)x2.4 mm
 48 = 7.3 mm(SQ.)x2.8 mm
 5 = 9.51 mm
 6 = 13 mm

◎ 12 x 12 mm
 1 = 4.3 mm
 4 = 7.3 mm (SQ.) x 3.8 mm
 5 = 8.5 mm

Prod. Size :

6 = 6x6 mm
 2 = 12x12 mm

□ = None Post
 ▲ = With Post
 < ▲ For 12x12 only >
 Tactile Switch

SPECIFICATION

△MECHANICAL

Operation Force:520±130gf Yellow(Y)
320±80gf Salmon(S)
260±50gf Red(R)
160±50gf Brown(N)
100±50gf Black(K)

Stop Strength: Max 3kgf vertical static load continuously
for 15 seconds

Stroke : (12x12) 0.35±0.1mm
(6x6) 0.25+0.2/-0.1mm

Operation Temperature Range : -25°C to +70°C

Storage Temperature Range : -30°C to +80°C

△ELECTRICAL (6X6)

Electrical Life : 300,000 cycles for 320gf,520gf
500,000 cycles for 260gf
1,000,000 cycles for 100gf,160gf

Rating : 50mA , 12 VDC

Contact Resistance : 100mΩ max

Insulation Resistance : 100MΩ min , 500 VDC

Dielectric Strength : 250 VAC / minute

Contact Arrangement : 1 pole 1 throw

MATERIAL

△COVER : Stainless steel

△CONTACT DISC : Phosphor bronze with silver cladding
(Standard)
Stainless Steel(V-Option)

△TERMINAL : Brass with silver plated

△BASE : UL94V-0 Nylon High-Temp. Thermoplastic

△STEM : UL94V-0 Nylon High-Temp. Thermoplastic

Color : Black(100gf) , Brown(160gf) , Red(260gf)
Salmon(320gf) , Yellow(520gf)

(Phosphor bronze)

△ELECTRICAL (12X12)

Electrical Life: 100,000 cycles for 320gf

100,000 cycles for 260gf

200,000 cycles for 160gf

(Stainless Steel)

Electrical Life: 500,000 cycles for 260gf

1,000,000 cycles for 160gf

SOLDERING PROCESS

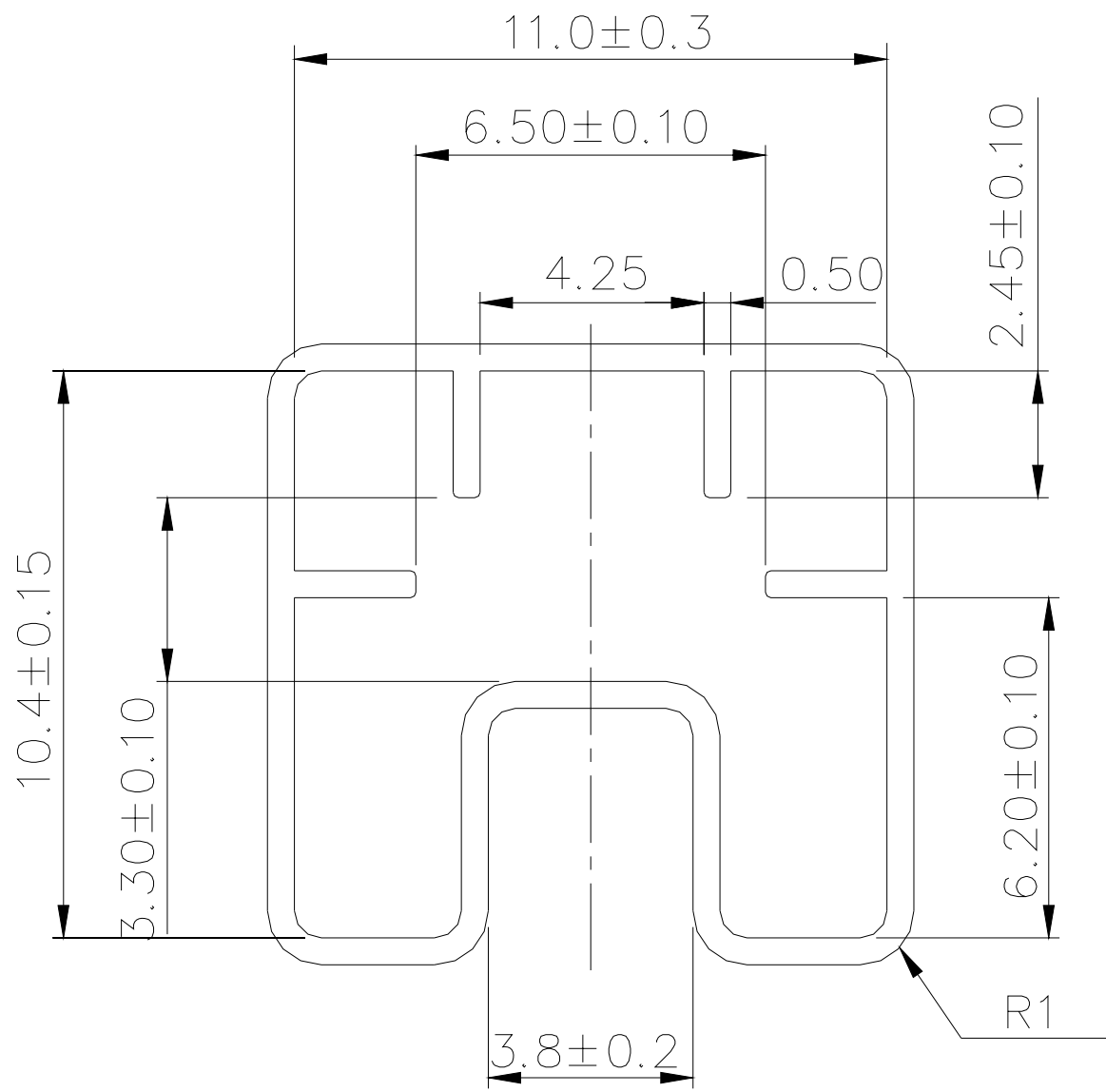
△WAVE SOLDERING: Recommended solder temperature at 500°F(260°C)max. 5 seconds subject to PBC 1.6mm
thickness (For through hole type)

△Hand soldering : Use a soldering iron of 30 watts , controlled at 350°C approximately max 5 seconds while
applying solder.

PACKING

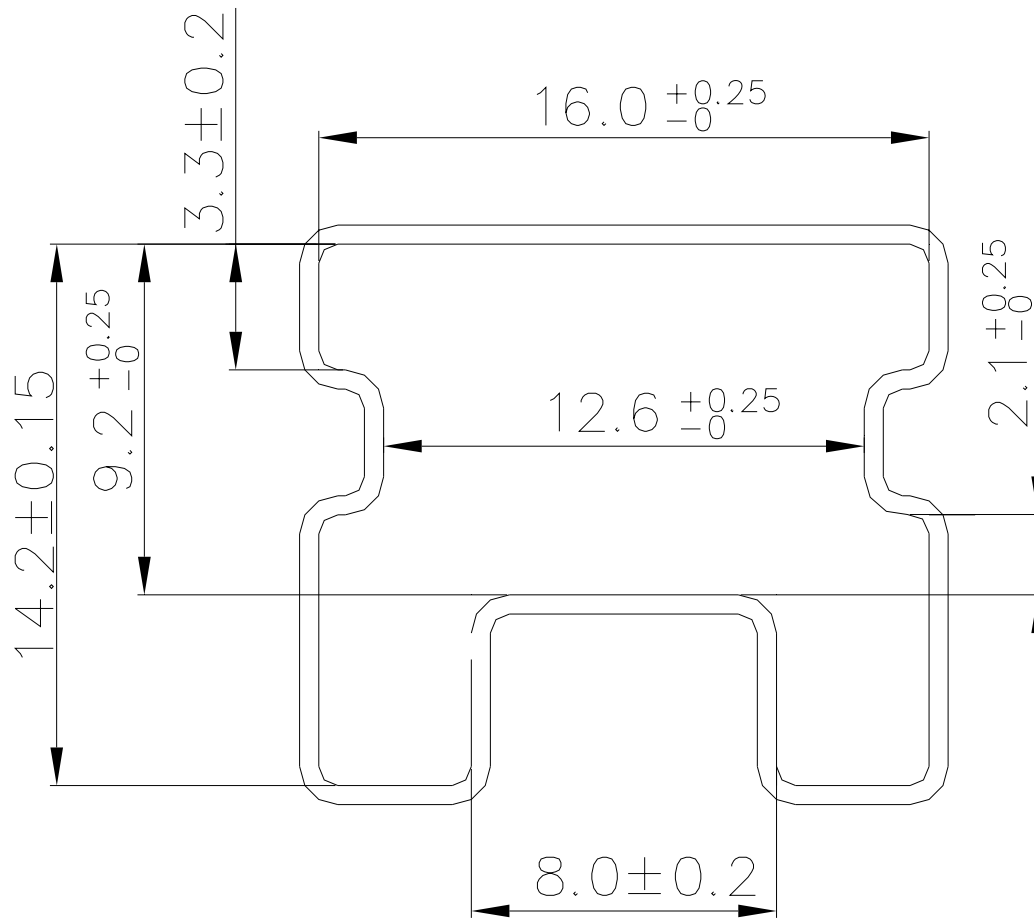
Part Number	Number Per Bag	Number Per Tube
DTS-6□□□	1000	-
DTS-61	-	77
DTS-62	-	77
DTS-2	500	-
DTS-2□□	-	39

DTS-61.62 TUBE



General Tolerance : $\pm 0.2\text{mm}$

DTS-2 □ □ TUBE



General Tolerance : $\pm 0.2\text{mm}$