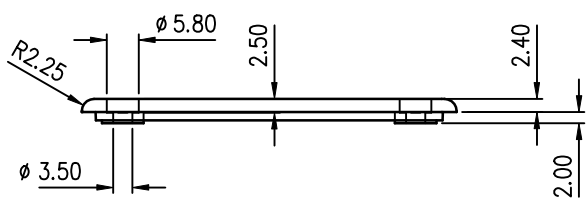
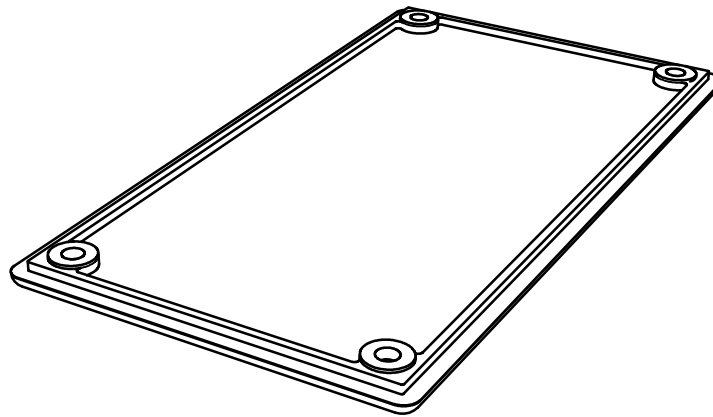
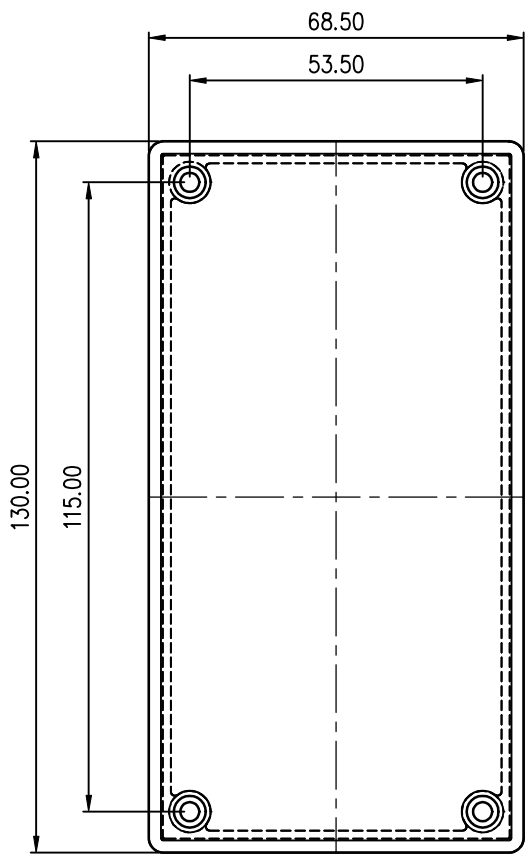


Title		E25 - Electronic Enclosure	
Date	Drawn:	Sheet No:	Dwg No
		1 : 1	1 of 1
		Tel/Fax: ()	

BODY



LID

NOTE ON FINISH:
 SIDES OF BOX TO BE FINE SPARKED FINISH
 BASE OF BOX AND THE LID TO BE HIGH GLOSS FINISH