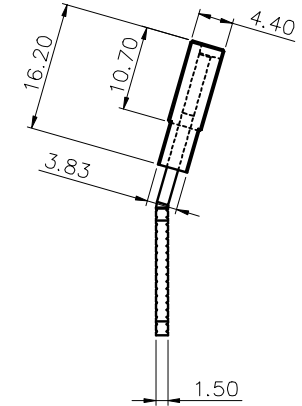
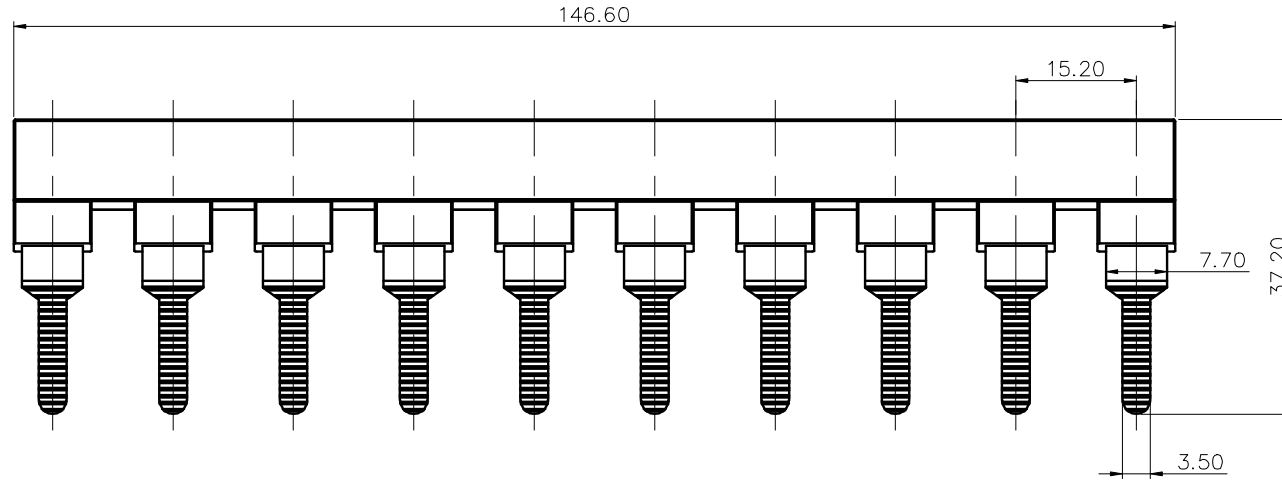


REVISION RECORD				
REV	ECN	DESCRIPTION	DRFT	DATE

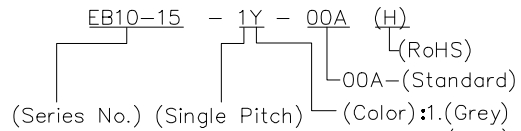


NOTES:

- 1.Dimension shall be interpreted per ASME Y14.5-2009
- 2.Pitch : 15.20mm, Poles : 10P
- 3.Operating temperature: -40°C~+105°C
- 4.Undimensioned tolerances:

Pitch range in mm		Nominal dimension range in mm					⊖	⊕	∅
TO	Over	TO	Over	TO	Over	TO	TO	TO	
6	10	24	30	60	100	150	0.1/10	∠	
±0.15	±0.20	±0.30	±0.30	±0.50	±0.70	±1.00	±1.30	±2°	

5.RoHS Compliance



- (Color):
- 1.(Grey)
 - 2.(Blue)
 - 3.(Black)
 - 4.(Green)
 - 5.(Orange)
 - 6.(Red)
 - 7.(Transparent)
 - 8.(Yellow)
 - 9.(White)

DETACHED LISTS	PART NO.:	DEGSON 宁波高松电子有限公司 NINGBO DEGSON ELECTRICAL CO., LTD			
	APPD:	NAME: EB10-15-1Y-00A(H)			
	CHKD:	TITLE: CUSTOMER DRAWING		REV	DO
	DRFT:	DRAWING NO.:		SHEET	1/1
	THIRD ANGLE PROJECTION		DO NOT SCALE DRAWING		SCALE

H
G
F
E
D
C
B
A