

Upgraded Version 1M Flash ESP8266 ESP-01 WIFI Transceiver Wireless Module

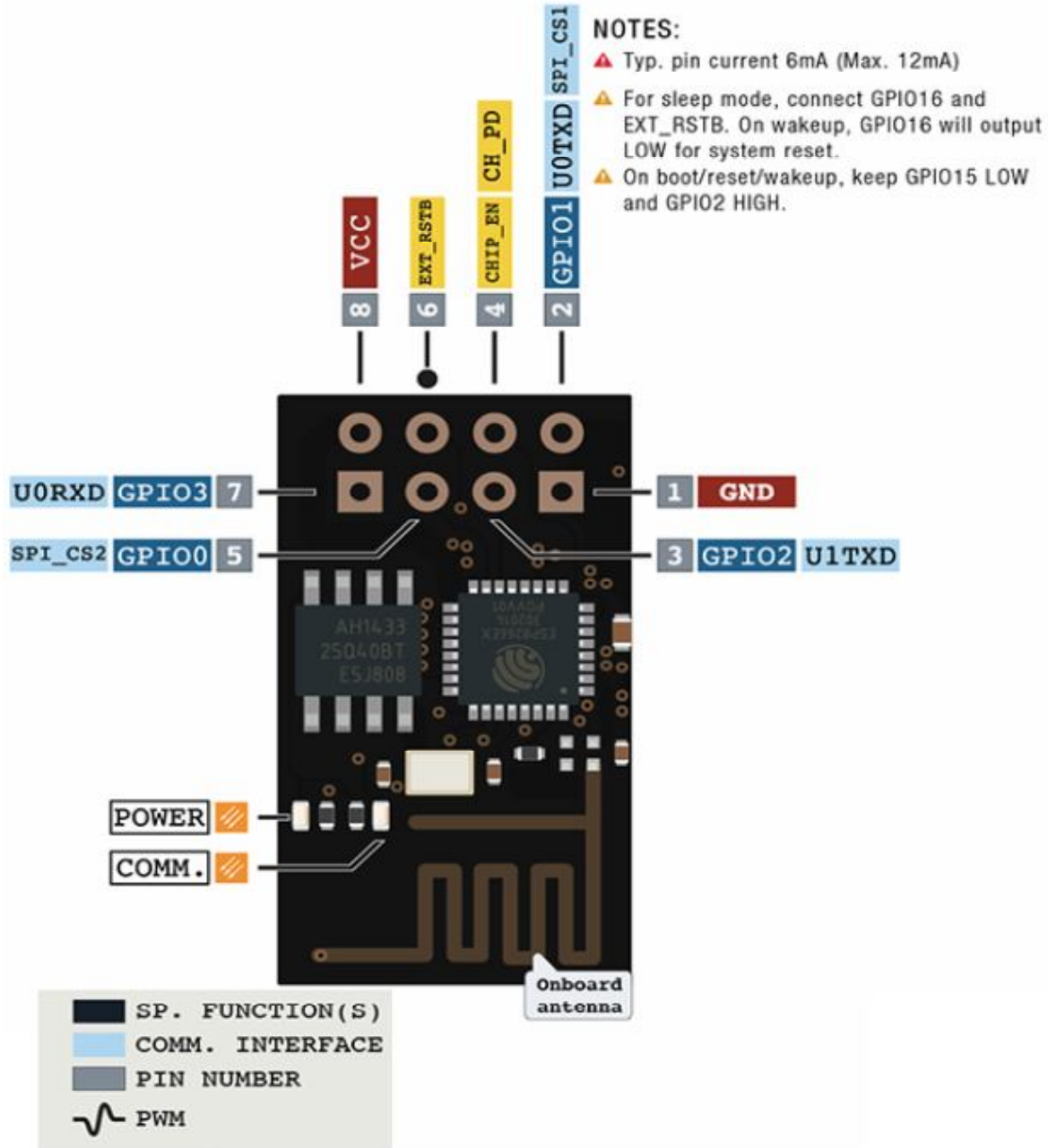
Description:

Upgraded Version ESP-01, all Flash are upgraded to 1M byte. Also support Cloud service remote transmission. This Upgraded Version module are fully supports the previous firmware

The latest firmware version 1.0.1, the default baud rate of 115200,

(AT + CIOBAUD = to change the baud rate), because the old version of the module is 512k bytes of storage space is not enough, so we can not upgrade the 1.0.1 version, but also support the cloud services!

Notice: Vcc- 3.3V



Tutorial ESPEasy Firmware Upload

https://www.letscontrolit.com/wiki/index.php/Tutorial_ESPEasy_Firmware_Upload

<http://www.geekstips.com/esp8266-arduino-tutorial-iot-code-example/>

<https://www.kolkataonweb.com/code-bank/tag/ai-cloud-insid8/>