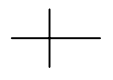
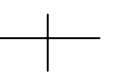
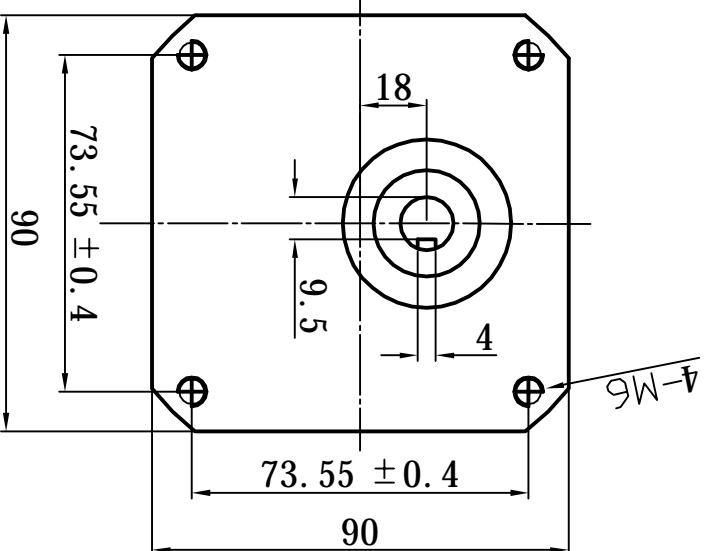
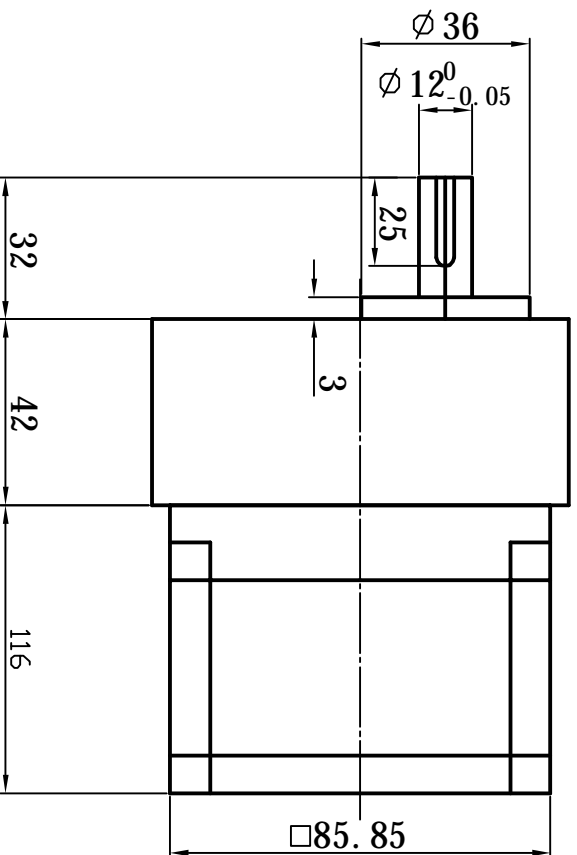
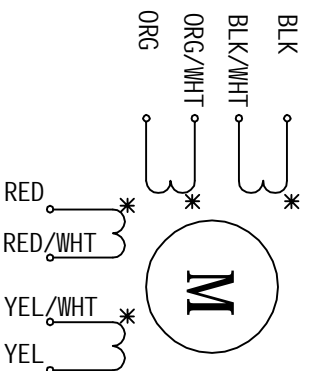


Dimensioni:



Wiring Diagram



UL3266 AWG20#, LENGTH 305 ± 12mm

0.67*2/31

STEP ANGLE	PHASE	CONNECTION STYLE	CURRENT	RESISTANCE	INDUCTANCE	HOLDING TORQUE	REDUCTION RATE	ROTOR INERTIA	WEIGHT
1.8	4	parallel	4.95	0.65	8.3	8.5	10	gcm ²	Kg
		series	2.475	2.6	33.2				
		uni polar	3.5	1.3	8.3	6			4.5

REV/ECH NO.	DESCRIPTION	DRN	APP'D	DATE	DESIGN	DATE	P/N
UNLESS OTHERWISE SPECIFIED TOLERANCES:							
DECIMALS:	ANGULAR:						
.X ±0.5	±0°30'						
.XX ±0.25	±0.1						
.XXX ±0.1	UNIT: mm						
DO NOT SCALE DRAWING							
MATERIAL		CHECK		USED ON		TITLE	
THIRD ANGLE PROJECTION		APPD		FL86STH118-3508AG10		SPECIFICATION	
SCALE 1:1		SHEET OF		FX3.162.		SS	
				FULLING MOTOR			