

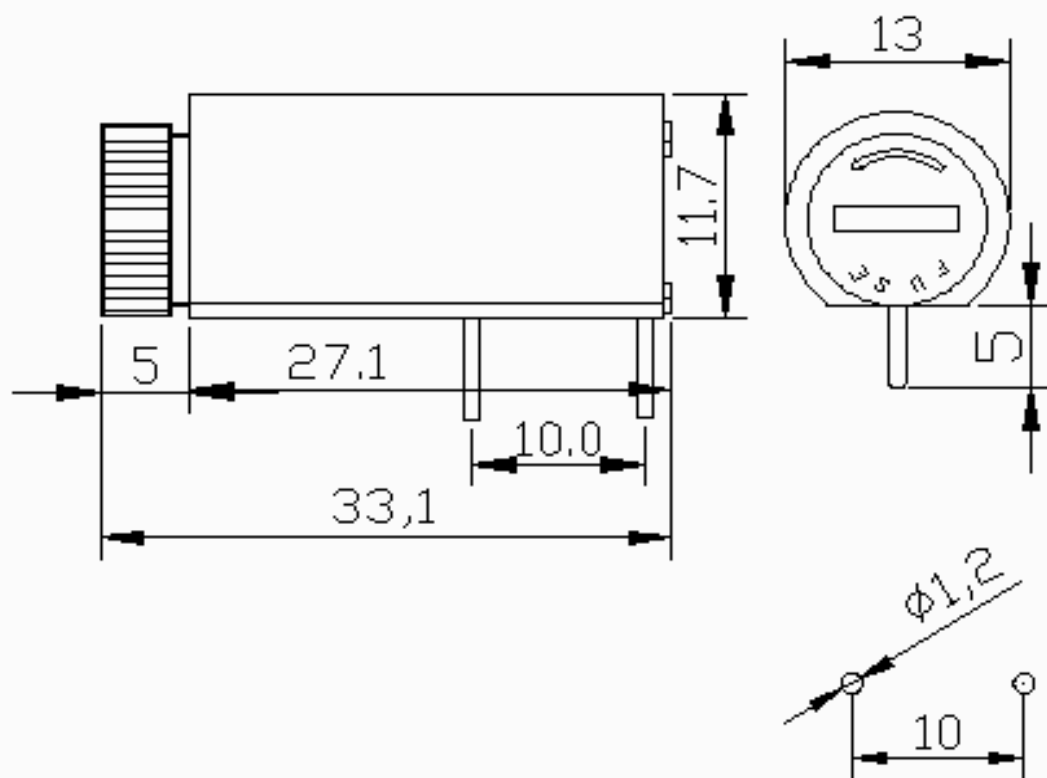
FUSE HOLDER 5x20



Specifications

Model No.:	H 3 50A
Rating:	6.3A 250V AC
Insulation Resistance:	DC 500V 100M Ω Min
Voltage breakdown:	AC 1500V 1 minute
Fuse Size:	B: Φ 5 X 20 mm

Schematic Diagram



1. 6.3A 2.5W 250V AC
2. $\phi 5.2 \times 20$ mm
3. Bayonet type cap
4. PC Board mount terminall
5. P.B.T
6. ul ccc ce vde