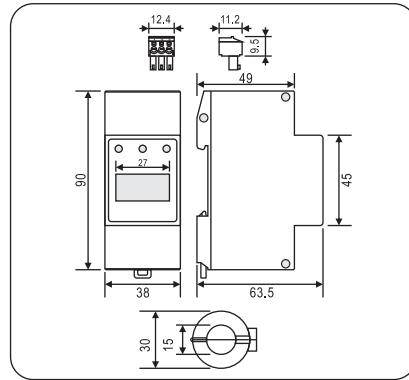


Impulse Events Counter

IC 05



Dimension diagram:



• Technical data

Type	IC 05
Art.-No.	810 405
Response behaviour of impulse current	> 1kA, rise time:8-10µs
Sequence of impulse	> 1s
OLED indicator	0 ~ 9999999
Inductive line	1m long twisted-pair
Power supply	3V battery; Type: CR123A, exchangeable
Service of battery	> 2.5 year
Operating temperature range	-10°C...+50°C
Mounting on	35mm DIN rail
Enclosure material	Black thermoplastic, UL94-V0
Dimension	2.2 mods
Certification	CE(LVD,EMC)

• Product introduction

1. Summary

This counter is used to record the number of times of current discharge to the surge protective devices.

2. Main character

- 2.2 standard module width
- Inductive loop (feed through with the earthing cable of surge protective devices)
- Powered by replaceable 3V Lithium battery, 0.96 inches ,128*64 resolution OLED display.
- 1m long inductive twisted pair

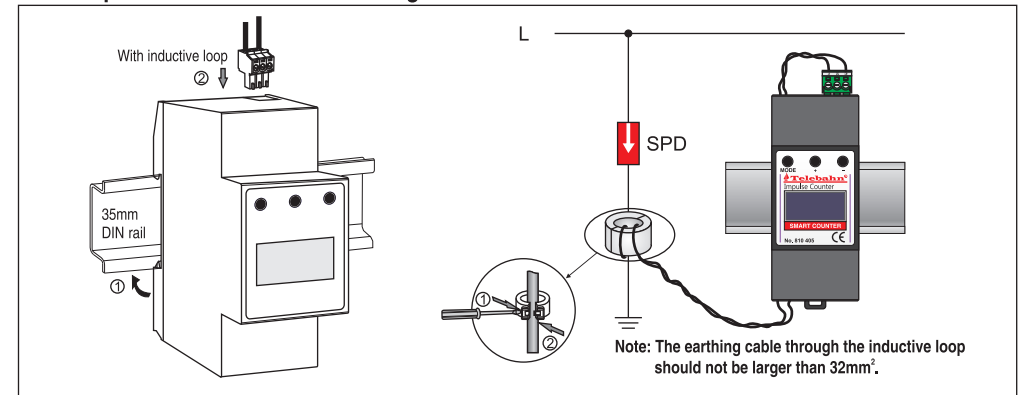
3. Application environment

- Temperature: -10°C ~ +55°C
- Relative humidity: ≤ 95% (25°C)

• Installation instruction

1. There is an insulated tieback that attached to the battery, pull the tieback "Battery on PULL" before installation to ensure the power supply works normally.
2. Open the attached inductive ring and hitch around the earthing wire, then fixed the SPD on the 35mm DIN rail. (As shown in the following diagram)
3. Fault resolution: When the screen display is blank, incomplete display, open the bottom cover, unplug the battery for 5 minutes and then re-install it back. Make sure to install the battery back with the correct polarity. This time, the screen should operate normally and do the reset testing setting.
4. Test setting instruction:
 - (1). Normal display: year/month/date, hour/minute/second, number of times.
 - (2). When in normal display status, press the button "M" to enter into setting mode.
 - (3). After entering the setting mode, press the button "M" to change the digit that is to be set. During this time, that digit is flashing.
 - (4). Cleared to zero, when the counting digit is flashing, press the button "+" in 3 seconds to clear to zero.
 - (5). In normal display status, press the button "-" to enter into history counting mode, which can check time record for the recent 50 times. Press the button "+" to change to another display.
 - (6). Power-saving mode, in display status, it will enter into power-saving mode if there in no operation in 6 to 10 seconds, press the button "M" to return to normal mode.

IC 05 impulse counter installation diagram:



WARNING:

1. The device must be installed by electrically skilled person, conforming to national standards and safety regulations.
2. It is recommended that installation should be done under power off condition.