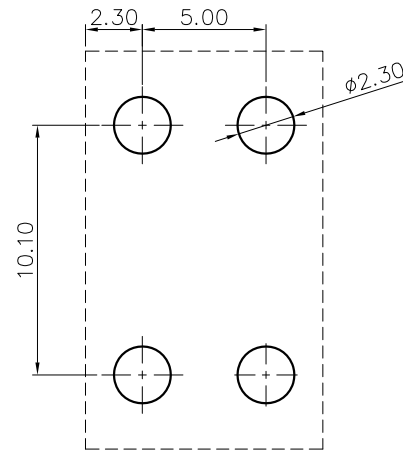
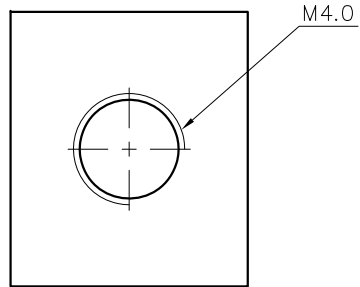
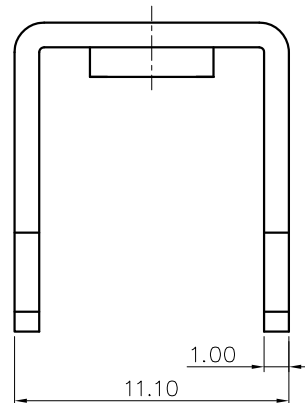
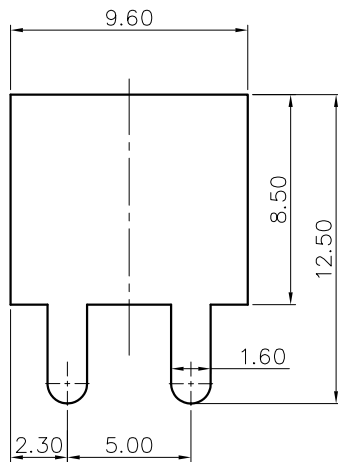


REVISION RECORD

REV	ECN	DESCRIPTION	DRFT	DATE
-----	-----	-------------	------	------



P.C.B LAYOUT

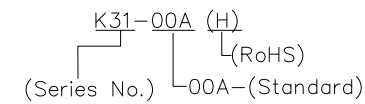


NOTES:

- UL Standard
- 1.Rated Current: 40A
- 2.Torque Value : M4 , 10.63Lb.in
- 3.Dimension shall be interpreted per ASME Y14.5-2009
- 4.Undimensioned tolerances:

Pitch range in mm		Nominal dimension range in mm				Tolerances		
TO	Over TO	Over TO	Over TO	Over TO	0.1/10	<	>	
6	10	10	24	30	60	100	150	
±0.15	±0.20	±0.30	±0.30	±0.50	±0.70	±1.00	±1.30	±2'

5.RoHS Compliance



DETACHED LISTS	PART NO.:	宁波高松电子有限公司 NINGBO DEGSON ELECTRICAL CO., LTD			
	APPD:	NAME: K31-00A(H)			
	CHKD:				
	DRFT:	TITLE: CUSTOMER DRAWING	REV	DO	
		DRAWING NO.:	SHEET	1/1	
	MM (INCH)	DO NOT SCALE DRAWING	SCALE	1:1	