

Ks0013 keyestudio Rotary Encoder Module

Introduction:

The rotary encoder can count the pulse outputting times during the process of rotation in positive and reverse direction by rotating. This rotating counting is unlimited, not like potential counting. It can be restored to initial state to count from 0.

Specification:

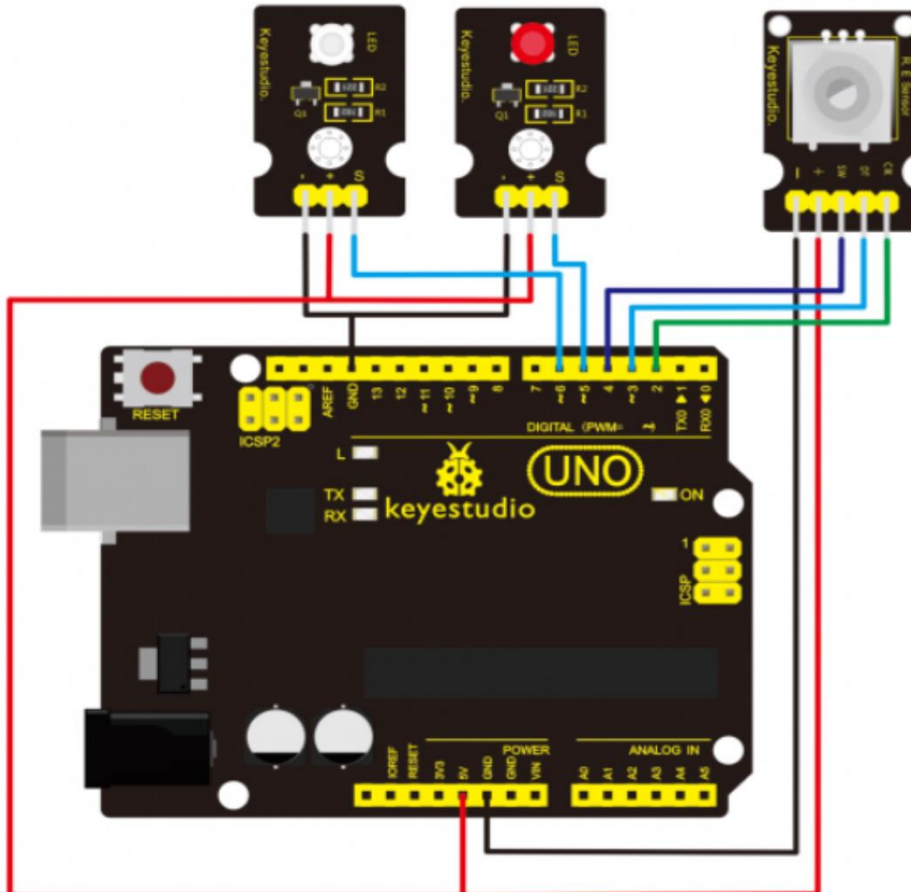
Power Supply: 5V

Interface: Digital



Connection Diagram

with 2 LED modules





Sample Code:

```
const int interruptA = 0;
const int interruptB = 1;
int CLK = 2; // PIN2
int DAT = 3; // PIN3
int BUTTON = 4; // PIN4
int LED1 = 5; // PIN5
int LED2 = 6; // PIN6
int COUNT = 0;
void setup()
{
  attachInterrupt(interruptA, RoteStateChanged, FALLING);
  // attachInterrupt(interruptB, buttonState, FALLING);
  pinMode(CLK, INPUT);
  digitalWrite(2, HIGH); // Pull High Restance
  pinMode(DAT, INPUT);
  digitalWrite(3, HIGH); // Pull High Restance
  pinMode(BUTTON, INPUT);
  digitalWrite(4, HIGH); // Pull High Restance
  pinMode(LED1, OUTPUT);
  pinMode(LED2, OUTPUT);
  Serial.begin(9600);
}
void loop()
{
  if (!(digitalRead(BUTTON)))
  {
    COUNT = 0;
    Serial.println("STOP COUNT = 0");
    digitalWrite(LED1, LOW);
    digitalWrite(LED2, LOW);
    delay(2000);
  }
  Serial.println(COUNT);
}
//-----
void RoteStateChanged() //When CLK FALLING READ DAT
{
  if (digitalRead(DAT)) // When DAT = HIGH IS FORWARD
  {
    COUNT++;
    digitalWrite(LED1, HIGH);
    digitalWrite(LED2, LOW);
    delay(20);
  }
  else // When DAT = LOW IS BackRote
  {
    COUNT--;
    digitalWrite(LED2, HIGH);
    digitalWrite(LED1, LOW);
    delay(20);
  }
}
```

Resources:

https://wiki.keyestudio.com/Ks0013_keyestudio_Rotary_Encoder_Module