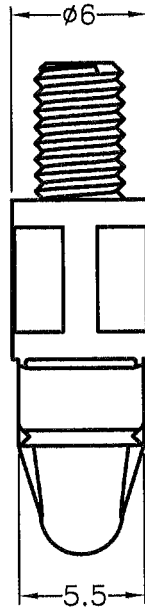
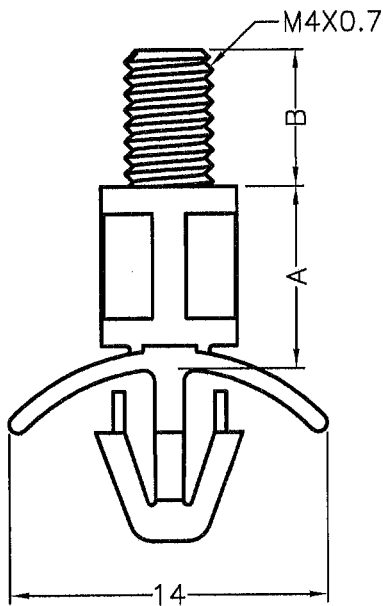


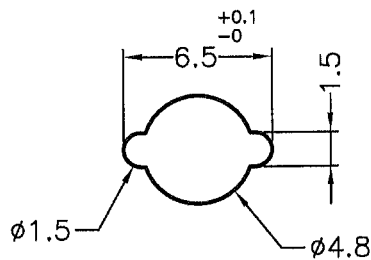
DIM.	TOL
5mm DOWN	±0.2
5~20mm	±0.3
20~40mm	±0.4
40~60mm	±0.5
60~100mm	±0.8
100mm UP	±1.0

REVISIONS			
REV	DESCRIPTION	DATE	BY




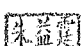
PART NO.	A	B
LCDS4-3	3.0	4.0
LCDS4-4	4.0	4.0
LCDS4-5	5.0	4.0
LCDS4-6	6.0	6.0
LCDS4-7	7.0	6.0
LCDS4-8	8.0	6.0
LCDS4-9	9.0	6.0
LCDS4-10	10	6.0
LCDS4-11	11	6.0
LCDS4-12	12	6.0
LCDS4-13	13	6.0
LCDS4-14	14	6.0
LCDS4-15	15	6.0

HOLE IN CHASSIS $\phi 4.8$
CHASSIS THICKNESS 0.8~2.5



MOUNTING HOLE



 <p>康揚企業股份有限公司 KANG YANG HARDWARE ENTERPRISE CO., LTD. 康揚塑膠(東莞)有限公司 KANG YANG PLASTIC(DONG GUAN) CO., LTD. 康哲電腦配件(吳江)有限公司 KANG CHE COMPUTER COMPONENTS(WUJIANG) CO., LTD.</p>	TITLE SPACER SUPPORT		SPEC. DWG.	
	MATERIAL NYLON 66 UL94V-2		DATE 2010.11.08	
	FINISH		DRAWN SAI	
	COLOR NATURAL		CHECK 	
PART NUMBER SEE ABOVE	DRAWING NUMBER LCDS4-H		UNLESS OTHERWISE SPECIFIED TOLERANCE SEE ABOVE	
SIZE A4	SCALE NONE	UNIT mm	REV A	APPROVED 