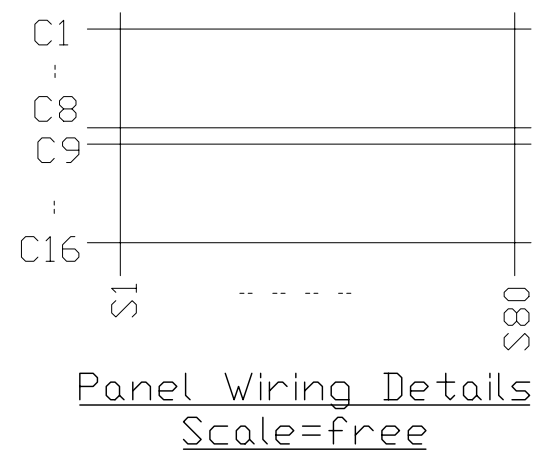
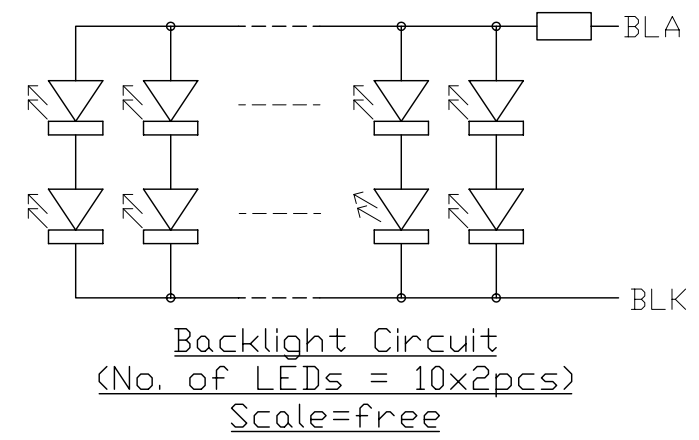
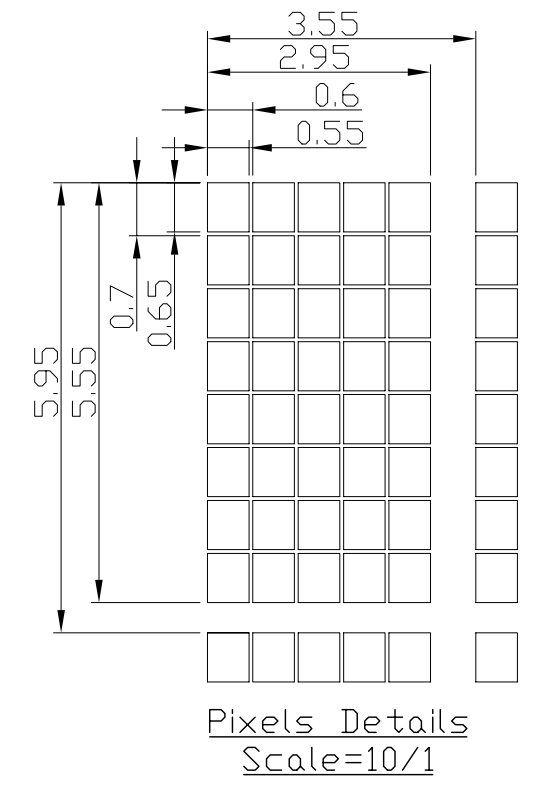


Terminal	
No.	Pin Name
1	VSS
2	VDD
3	NC
4	RS
5	R/W
6	E
7	DB0
8	DB1
9	DB2
10	DB3
11	DB4
12	DB5
13	DB6
14	DB7
15	BLA
16	BLK



- Note:
- *1. LCD Display Type : STN-YG, Positive, Transflective
 - *2. Viewing Direction : 6H $\triangle C$
 - *3. Duty : 1/16 ,Bais : 1/5 $\triangle B$
 - *4. Operating Voltage : 3.3V $\triangle B$
 - *5. Backlight Color : YG
 - *6. Operating Temperature : -20°C ~ 70°C
 - *7. Storage Temperature : -30°C ~ 80°C
 - *8. Environmental Safe Standard : RoHS $\triangle C$

C	-Add Note	Li Shuai 2006-03-04
B	-Add Note -Revise Dimension	Li Shuai 2005-11-02
A	-Typing Correction	Li Shuai 2004-07-16
Rev/Note		Date
Dwg Title LMB162ABC-1 Outline Dwg		
Dwg No.	MK-000527c-1-1	Date 2004-07-06
Scale 5/2	Tol. ± 0.5	Unit mm
Approved	Checked	Paper Size A3
		Drawn Li Shuai

TOPWAY