

SUN™

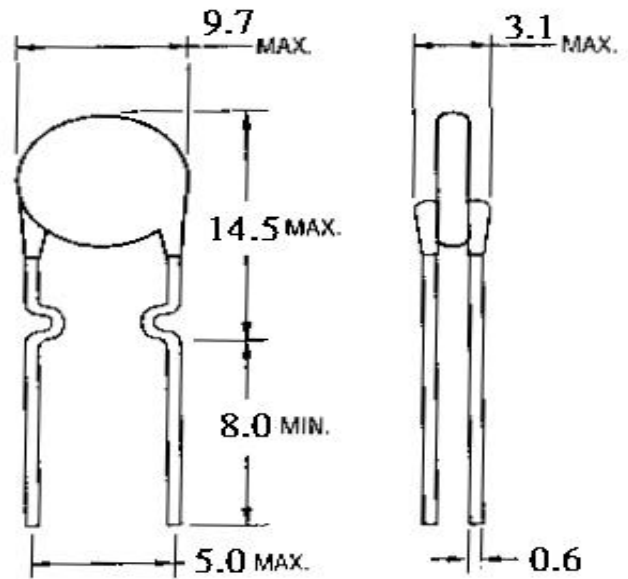
LP60-065 PTC RESETTABLE OVERCURRENT PROTECTOR

APPLICATION:

Almost anywhere there is a low voltage power supply and a load to be protected including:

- DC MOTOR DRIVE CIRCUIT
- COMPUTERS & PERIPHERALS
- GENERAL ELECTRONICS EQUIPMENT
- AUTOMOTIVE APPLICATION

PRODUCT DIMENSIONS PACKAGE: 1



DIMENSIONS: mm

ELECTRICAL CHARACTERISTICS:

- I_{max} 40A
- V_{max} 60VOLTS
- I_{hold} 0.65A max @ 23
- I_{trip} 1.3A min @ 23

RESISTANCE

- $R_{initial}$ 0.27 OHM MIN
0.48 OHM MAX
- Time to trip 5.3SEC
- P_D 0.9W

NOTE:

Measured Values

* DIRECT REPLACE: BOURNS MF-R065
: RAYCHEM RXE065

| | |
|----------------------|--|
| I_H – Hold current | Maximum current device will pass without interruption in 23 still air. |
| I_T – Trip current | Min. current which will switch the device from low to high resistance in 23 still air. |
| I_{max} | Maximum fault current the device can withstand without damage at rated voltage. |
| V_{max} | Maximum voltage the device can withstand without damage at rated current. |
| P_D | Power dissipated from the device when in the tripped state in 23 still air. |
| Initial Resistance | Device resistance as received from the factory. |

MOBICON GROUP