



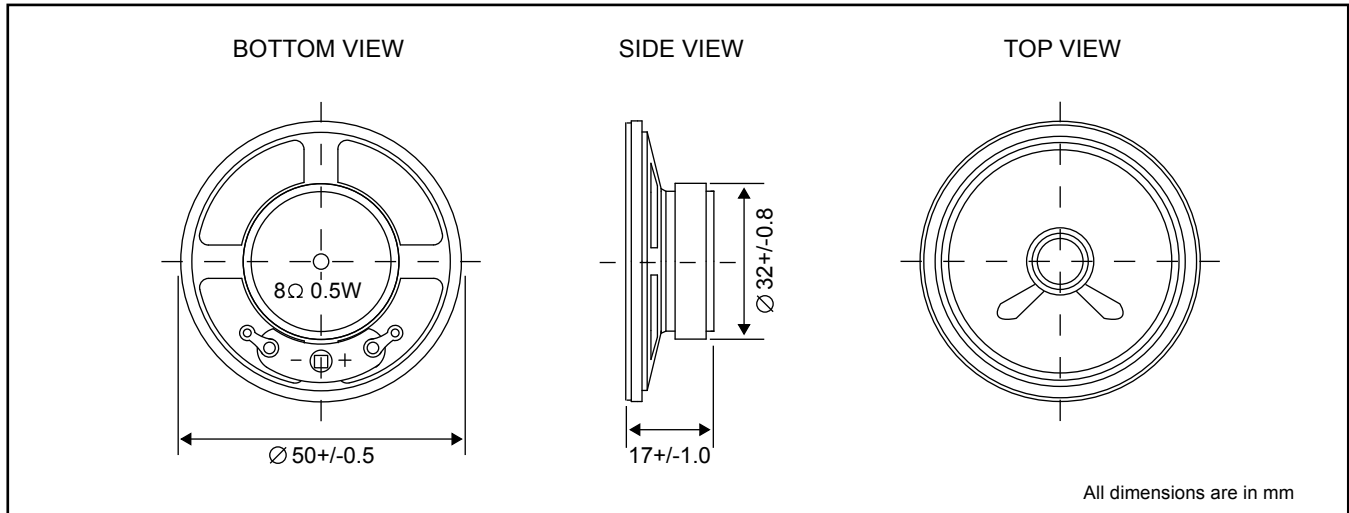
SPL (Hong Kong) Limited

Rm 2507, 25/F, Prosperity Centre, 25 Chong Yip St., Kwun Tong, Kln., HK.
Tel: 852-23426867 / 57 Fax: 852-23426847 Email: sales@spl-hk.com.hk
www.buzzer.com.hk ; www.transducer.com.hk ; www.connector.com.hk

Loud Speaker LSE50 Series

DIMENSIONS

Date : 07 May, 2007



Ref. no.: PC429DX

Remark : RoHS compliance

ELECTRICAL SPECIFICATIONS

Model No.	LSE50-15
Diameter	50 +/- 0.5 mm
Height	17 +/- 1.0 mm
Back Dia.	32 +/- 0.8 mm
Output S.P.L.	88 +/- 3 dB [At 0.5m, 1W / ave. 0.5, 0.6, 0.8, 1.0 KHz]
Impedance	8 ohm +/- 15% [At 1.5K Hz, 1 V]
Resonant Freq. [Fo]	450 Hz +/- 20 % [At 1 V, without baffle]
Freq. Response	Fo ~ 4.5K Hz
Rated Input Power	0.5 W
Max. Input Power	1.0 W
Buzzer & Rattles	Must Be Normal [Sine Wave 5.0 V]
Load Test	Must Be Normal [Pink Noise 0.5 W, 48 Hours]
Heat Test	Must Be Normal [60 +/- 2 °C, 20 ~ 25% R.H. 96 Hours]
Cold Test	Must Be Normal [-20 +/- 2 °C, 96 Hours]
Humidity Test	40 +/- 2 °C, 90 ~ 95% R.H. 8 Hours
Case Material	Metal
Magnet	External Magnet
Operating Temperature	-20 ~ +60 °C
Storage Temperature	-25 ~ +65 °C
Weight	43.5 g