

SPECIFICATIONS SHEET

PRODUCT TYPE : MYLAR SPEAKER

PRODUCT SERIES : M40IE

DESCRIPTION : MY 40D 5.1H 16.2B 8 Ohm Fo = 600Hz SP RoHS

ELECTRICAL SPECIFICATIONS

MODEL NO.	M40IE060008LF - SM	
SHAPE	ROUND	
MAGNET (N35)	mm	Ø 12.5 X 1.5
DIAMETER (D ± 0.2)	mm	Ø 40.0
HEIGHT (H ± 0.2)	mm	5.1
BACK DIA. (D ± 0.2)	mm	Ø 16.2
R. FREQUENCY ± 20 %	Hz	600
RESPONSE FREQ. F0 TO	Hz	20.0 K
RATED POWER	W	1.0
MAX POWER	W	1.5*
OUTPUT (dB/0.1W(10.0 cm) AVE 0.8, 1.0, 1.2, 1.5K(Hz))	dB	90.0 ± 3.0
OUTPUT (dB/1W(10.0 cm) AVE 0.8, 1.0, 1.2, 1.5K(Hz))	dB	100.0 ± 3.0
STANDARD IMPEDANCE ± 15 % AT 1V	Ω	8.0
TERMINAL	NIL	
BUZZER & RATTLES	2.0 V SINE WAVE	
DISTORTION	5.0% Max. (0.5 W 1K Hz)	
OPERATING TEMPERATURE	°C	- 20.0 ~ + 60.0
HOUSING MATERIAL	METAL	
DIAPHRAGM MATERIAL	MYLAR	
WEIGHT	g	9.2

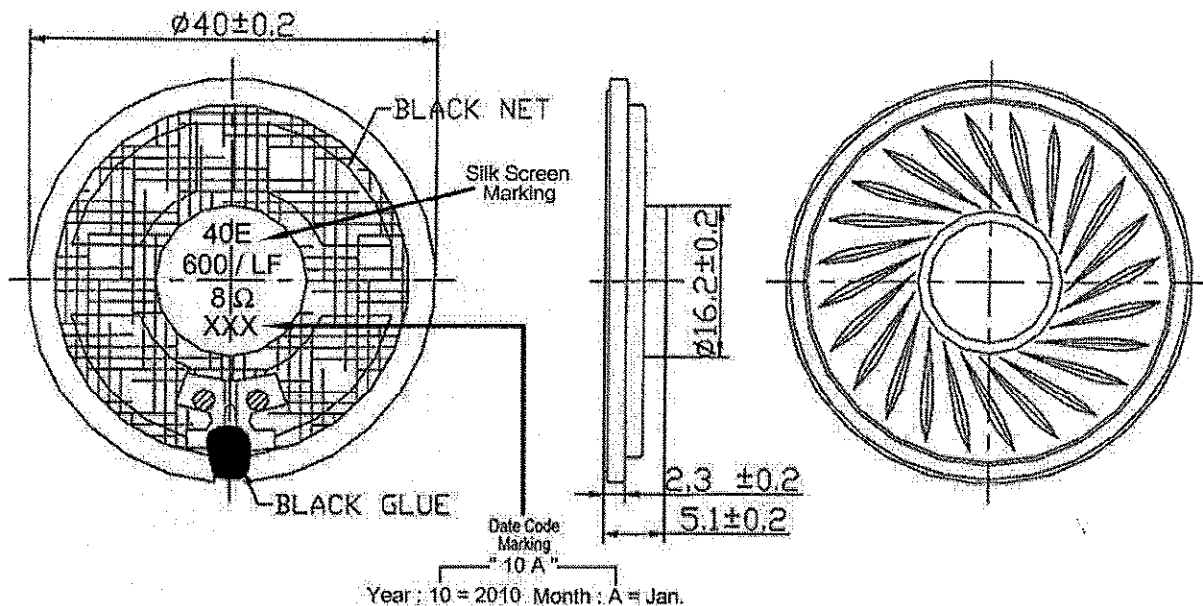
DIMENSIONS


UNIT : mm


BOTTOM VIEW

SIDE VIEW

TOP VIEW



Approved By: 
Date: 11-Nov.-2011

Prepared By: 
Date: 11-Nov.-2011

Modify :	Date :	By :