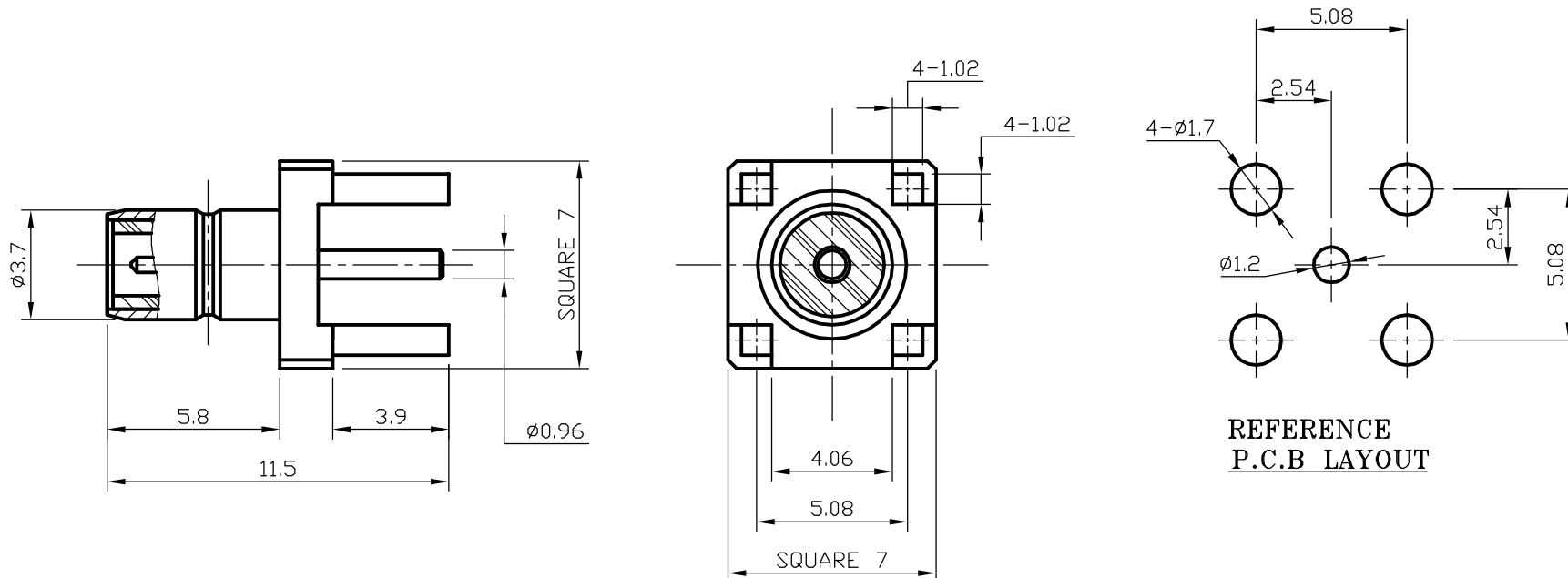


NOMINAL IMPEDANCE: 50Ω
 FREQUENCY RANGE: 0 ~ 4GHz
 VSWR: 1.3 MAX
 PACKING: 200 PCS/TRAY(200x1PC)



					製圖&設計 R&D	Justice 2018/10/24		SHALLIN ELECTRONICS CO., LTD.		
					檢圖&核定 APPROVED	Tai 2018/10/24				
					一般公差 TOLERANCES	±0.1				
					圖紙比例 SCALE	4:1				
F	03	CENTER PIN	BRASS	1	GOLD	品名 P/N	M5158	版本 REV	A	
	02	INSULATOR	TEFLON	1		敘述 TITLE	SMB , Jack For P.C.B Mount			
	01	BODY	BRASS	1	GOLD	ROHS COMPLIANT UNIT WEIGHT: 0.85g				
NO	DESCRIPTION		MATERIAL	Q'TY	FINISH					ITEM

SHALLIN ELECTRONICS CO., LTD.

<i>Product Specification</i> (產品規格書)		Date :	2018/OCT/24
		Rev :	A
P/N (品名) : M5158 Title (序述) : SMB , Jack For P.C.B Mount			
Items (項目)	Specs (規格值)	Remarks (備註)	
Impedance (阻抗)	50 Ω		
Frequency Range (頻率)	DC ~ 4 GHz		
V.S.W.R (駐波比)	≤ 1.3		
Working Voltage (定格電壓)	AC 335V		
Dielectric Withstanding Voltage (耐電壓)	AC 1,000V	1 min	
Insulation Resistance (絕緣抵抗)	≥ 1,000 MΩ	DC500V	
Contact Resistance (接觸抵抗)	Center Contact ≤ 6.0 mΩ (中心導體)	DC 10mA	
	Outer Contact ≤ 1.0 mΩ (外部導體)	DC 10mA	
Mating (插拔方式)	Snap-On		
Durability (插拔次數)	≥ 500 matings	For Beryllium Copper Female Contact Only	
Temperture Range (溫度範圍)	-40°C ~ 85°C		
Material / Finish (材料/電鍍)	All Rohs Compliant	Cd 75ppm Max	
<p style="text-align: center;">REFERENCE P.C.B LAYOUT</p>			